

# DDF5100HD Series

Primeline

High Definition Camera, 2/4 MP, 1080p/60, H.264, H.265, Day/Night (ICR), HDR, Motor-driven Varifocal Lens, PoE, Dome Housing



ONVIF | S



DDF5120 DDF5140

The cameras of the Primeline series offer an economical and balanced compromise between the extreme characteristics of the Nightline and Topline series. Having a very good light sensitivity, the high-resolution image sensor provides detailed color images even under low light conditions. The combination of the most advanced encoder technology and the sophisticated image processing results in real-time recordings with high resolution at excellent contrast, brilliant clarity and highest color fidelity.

## Resolution and frame rate

The high resolution of the sensor and the sophisticated image processing allow for real-time recordings with a frame rate of 60 fps (1080p/60) or, depending on the variant, with up to 30 fps at a resolution of 4 MP. Thus, the camera is ideal for all applications that require the capture of very fast movements in high resolution.

## Automatic switching of presets

The camera is equipped with an ambient light sensor and a removable IR cut filter and can automatically switch between day and night mode. In addition, different day and night presets can be defined and adjusted for the exposure settings.

## Motor-driven varifocal lens with P-Iris

The camera has a motor-driven varifocal lens that is perfectly tuned to the image sensor. The adjustment of zoom, focus and iris is made conveniently using a web browser. The manual lens setting directly at the installation site of the camera is not required.

## Digital Image Shift

The Digital Image Shift function allows digital fine alignment of the image section for all resolutions below 4 MP, using a web browser for a convenient final adjustment. This ensures a quick and easy installation of the camera.

## Video Content Analysis

The integrated Video Content Analysis (VCA) detects movements and objects in the uncompressed image and analyzes them in real-time (depending on the analysis resolution) with highly developed analysis functions such as Intrusion Detection or Line Crossing. The detected events can be used to trigger the recording of a SMAVIA recording system. Together with the detected objects and the corresponding metadata, they are stored in a database. This allows the targeted search and evaluation of the recordings by SMAVIA Viewing Client with the SmartFinder function.

## EdgeStorage

The camera is equipped with a RAM memory that is used by the EdgeStorage function to store the video stream in case of a network failure (e.g. Spanning Tree, Bursts). When the network is restored, the SmartBackfill function ensures fast transmission to the SMAVIA recording system. This stores the video stream with high speed and then continues to record the live stream seamlessly.









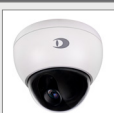

## Further features

- 1/3" 4 MP HD CMOS image sensor
- High light sensitivity 0.05 lux
- Memory expansion with microSDXC card
- Video compression H.264, H.265, MJPEG
- Privacy Zone Masking
- Digital flip function
- High Dynamic Range (HDR)
- 3D Digital Noise Reduction (3D-DNR)
- Voltage supply with PoE (Class 0)

# DDF5100HD Series

Primeline

High Definition Camera, 2/4 MP, 1080p/60, H.264, H.265, Day/Night (ICR), HDR, Motor-driven Varifocal Lens, PoE, Dome Housing

HDV In-Ceiling Variants		
006607.414		<b>DDF5120HDV-DN-IM</b> High Definition Camera, 2 MP, 1080p/60, H.264, H.265, day/night (ICR), HDR, motor-driven varifocal lens, PoE, dome housing, in-ceiling mount variant, F1.4 / 3 – 10 mm
006607.415		<b>DDF5120HDV-DN-IM</b> High Definition Camera, 2 MP, 1080p/60, H.264, H.265, day/night (ICR), HDR, motor-driven varifocal lens, PoE, dome housing, in-ceiling mount variant, F1.8 / 12 – 40 mm
006599.414		<b>DDF5140HDV-DN-IM</b> High Definition Camera, 4 MP, 1080p/60, H.264, H.265, day/night (ICR), HDR, motor-driven varifocal lens, PoE, dome housing, in-ceiling mount variant, F1.4 / 3 – 10 mm
006599.415		<b>DDF5140HDV-DN-IM</b> High Definition Camera, 4 MP, 1080p/60, H.264, H.265, day/night (ICR), HDR, motor-driven varifocal lens, PoE, dome housing, in-ceiling mount variant, F1.8 / 12 – 40 mm
HDV Surface Variants		
006608.414		<b>DDF5120HDV-DN-SM</b> High Definition Camera, 2 MP, 1080p/60, H.264, H.265, day/night (ICR), HDR, motor-driven varifocal lens, PoE, dome housing, surface mount variant, F1.4 / 3 – 10 mm
006608.415		<b>DDF5120HDV-DN-SM</b> High Definition Camera, 2 MP, 1080p/60, H.264, H.265, day/night (ICR), HDR, motor-driven varifocal lens, PoE, dome housing, surface mount variant, F1.8 / 12 – 40 mm
006600.414		<b>DDF5140HDV-DN-SM</b> High Definition Camera, 4 MP, 1080p/60, H.264, H.265, day/night (ICR), HDR, motor-driven varifocal lens, PoE, dome housing, surface mount variant, F1.4 / 3 – 10 mm
006600.415		<b>DDF5140HDV-DN-SM</b> High Definition Camera, 4 MP, 1080p/60, H.264, H.265, day/night (ICR), HDR, motor-driven varifocal lens, PoE, dome housing, surface mount variant, F1.8 / 12 – 40 mm
HD Surface Variants (Indoor)		
006927		<b>DDF5120HD-DN-SM (Indoor)</b> High Definition Camera, 2 MP, 1080p/60, H.264, H.265, day/night (ICR), HDR, motor-driven varifocal lens, PoE, indoor dome housing, surface mount, F1.4 / 3 – 10 mm
006928		<b>DDF5140HD-DN-SM (Indoor)</b> High Definition Camera, 4 MP, 1080p/60, H.264, H.265, day/night (ICR), HDR, motor-driven varifocal lens, PoE, indoor dome housing, surface mount, F1.4 / 3 – 10 mm

High Definition Camera, 2/4 MP, 1080p/60, H.264, H.265, Day/Night (ICR), HDR, Motor-driven Varifocal Lens, PoE, Dome Housing

## Extension for HDV Variants

006612



### Interface Board Series 5100<sup>1)</sup>

1x audio IN, 1x audio OUT, 1x serial interface RS485 (full duplex, half duplex), 2x contact IN, 2x contact OUT, Power supply 12V DC, ex factory only (for HDV variants)

## Accessories

006050



### Tinted Bubble 4.5"

For in-ceiling and surface mount variant, 4.5" (for HDV variants)

001041



### Tinted Bubble 4.0"

For surface mount variant, 4" (for indoor HD variants)

001678



### Power Supply Unit (110 - 240V AC -> 12V DC)

Universal power supply, 110 - 240 V AC to 12V DC, 850 mA, plug adapter EU/UK/US/AUS (for HDV variants)

004316



### PoE Midspan 30 W

Midspan power supply unit, 1x Ethernet port, 10/100/1000Base-T, 802.3at, 802.3af, 30 W

005017



### Wall Mount Bracket (SM Housing)

Wall mount bracket with seals and internal cable routing, for HDV dome surface-mount housing (152mm)

1) The interface is fitted and calibrated ex factory. Field fitting or replacement is not possible.

High Definition Camera, 2/4 MP, 1080p/60, H.264, H.265, Day/Night (ICR), HDR, Motor-driven Varifocal Lens, PoE, Dome Housing

Sensor	
Type	1/3" CMOS
Number of sensor pixels	4MP (2688 × 1520)
Light sensitivity	<0.05lux
Dynamic range	> 100 dB
Signal to noise ration	> 50 dB

Lens F1.4 / 3 – 10 mm	DDF5120HDV-DN and DDF5120HD-DN (Indoor)	DDF5140HDV-DN and DDF5140HD-DN (Indoor)
Type	Motor-driven varifocal lens	
Format / Mount	1/3" Board Lens	
Focal length	3 – 10 mm	
Iris range	F1.4 – Closed	
Iris control	P-Iris (motor-driven)	
Zoom / Focus control	Motor-driven	
Minimum object distance	0.5 m	
IR corrected	Yes	
Available angles of view <sup>2)</sup> (H × V) at wide end	Approx. 59° x 44° @ 1.5 MP (1440 × 1080) Approx. 52° x 39° @ 1.2 MP (1280 × 960) Approx. 116° x 62° @ 1080p (1920 × 1080) @ 720p (1280 × 720)	Approx. 84° x 62° @ 3 MP (2016 × 1504) Approx. 59° x 44° @ 1.5 MP (1440 × 1080) Approx. 52° x 39° @ 1.2 MP (1280 × 960) Approx. 116° x 62° @ 4 MP (2688 × 1512) @ 1080p (1920 × 1080) @ 720p (1280 × 720)
Available angles of view <sup>2)</sup> (H × V) at tele end	Approx. 18° x 13° @ 1.5 MP (1440 × 1080) Approx. 16° x 12° @ 1.2 MP (1280 × 960) Approx. 32° x 19° @ 1080p (1920 × 1080) @ 720p (1280 × 720)	Approx. 25° x 19° @ 3 MP (2016 × 1504) Approx. 18° x 13° @ 1.5 MP (1440 × 1080) Approx. 16° x 12° @ 1.2 MP (1280 × 960) Approx. 32° x 19° @ 4 MP (2688 × 1512) @ 1080p (1920 × 1080) @ 720p (1280 × 720)

Lens F1.8 / 12 – 40 mm	DDF5120HDV-DN	DDF5140HDV-DN
Type	Motor-driven varifocal lens	
Format / Mount	1/3" Board Lens	
Focal length	12 – 40 mm	
Iris range	F1.8 – Closed	
Iris control	P-Iris (motor-driven)	
Zoom / Focus control	Motor-driven	
Minimum object distance	2.5 m	
IR corrected	Yes	
Available angles of view <sup>2)</sup> (H × V) at wide end	Approx. 13° x 10° @ 1.5 MP (1440 × 1080) Approx. 12° x 9° @ 1.2 MP (1280 × 960) Approx. 25° x 14° @ 1080p (1920 × 1080) @ 720p (1280 × 720)	Approx. 18° x 14° @ 3 MP (2016 × 1504) Approx. 13° x 10° @ 1.5 MP (1440 × 1080) Approx. 12° x 9° @ 1.2 MP (1280 × 960) Approx. 25° x 14° @ 4 MP (2688 × 1512) @ 1080p (1920 × 1080) @ 720p (1280 × 720)
Available angles of view <sup>2)</sup> (H × V) at tele end	Approx. 5° x 3° @ 1.5 MP (1440 × 1080) Approx. 4° x 3° @ 1.2 MP (1280 × 960) Approx. 9° x 5° @ 1080p (1920 × 1080) @ 720p (1280 × 720)	Approx. 6° x 5° @ 3 MP (2016 × 1504) Approx. 5° x 3° @ 1.5 MP (1440 × 1080) Approx. 4° x 3° @ 1.2 MP (1280 × 960) Approx. 9° x 5° @ 4 MP (2688 × 1512) @ 1080p (1920 × 1080) @ 720p (1280 × 720)

2) All specifications ±5%. Minor deviations with lenses may be a result of manufacturing tolerances and do not constitute a defect.

High Definition Camera, 2/4 MP, 1080p/60, H.264, H.265, Day/Night (ICR), HDR, Motor-driven Varifocal Lens, PoE, Dome Housing

Format and Encoding	DDF5120HDV-DN and DDF5120HD-DN (Indoor)	DDF5140HDV-DN and DDF5140HD-DN (Indoor)
Video standard	SDTV (PAL/NTSC) HDTV (SMPTE 296M, SMPTE 274M)	
Resolution 4:3	1.5 MP (1440 × 1080) @ 50/60fps 1.2 MP (1280 × 960) @ 50/60fps 640 × 480, 320 × 240 @ 50/60fps	3 MP (2016 × 1504) @ 25/30fps 1.5 MP (1440 × 1080) @ 50/60fps 1.2 MP (1280 × 960) @ 50/60fps 640 × 480, 320 × 240 @ 50/60fps
Resolution 16:9	1080p (1920 × 1080) @ 50/60fps 720p (1280 × 720) @ 50/60fps 640 × 480, 640 × 368, 480 × 272, 320 × 240 @ 50/60fps	4 MP (2688 × 1512) @ 25/30fps 1080p (1920 × 1080) @ 50/60fps 720p (1280 × 720) @ 50/60fps 640 × 480, 640 × 368, 480 × 272, 320 × 240 @ 50/60fps
Video compression	H.264, H.265, MJPEG	
Frame rate	Up to 60fps	
Video bit rate	1–12Mbps, CBR (constant bit rate), VBR (variable bit rate), with priority setting for image quality <sup>3)</sup>	
Video streaming	Up to 4 streams with different settings simultaneously	
Audio compression <sup>4)</sup>	G.711	
Audio bit rate <sup>4)</sup>	64 kbps	
Live streaming transmission method	Unicast, Multicast	
Number of live streams / clients	Up to 4 streams with up to 12 Mbps simultaneously	

Functions	
Day/Night switching	Ambient light sensing and removable IR cut filter (ICR), switching threshold level adjustable
Black-and-white mode	Automatic (at low light or in night mode), On, Off
Automatic Electronic Shutter	1/1–1/8000 s
Slow Shutter Limit	1/1–1/1000 s
Lens control	Zoom control (Tele–Wide), Focus control (Far–Near, One-Push AF), Iris control (P-Iris) via web browser
Digital flip function	Horizontal, vertical or both axes
Digital Image Shift	Horizontal and vertical at all resolutions below 4 MP
Digital Noise Reduction	3D-DNR (adjustable by 10 levels)
Exposure presets	Universal, Indoor, Outdoor, Casino, Low-Light, User-Defined (with automatic day/night switching)
Exposure compensation	-2 EV (Exposure Value) to + 2 EV (adjustable by 200 levels)
Exposure metering	Average metering (light information from entire scene), center-weighted average metering, spot metering
Brightness adjustment	Automatic (ALC), Manual
Gain control	Automatic (AGC) with adjustable Gain Limit
White balance	Auto: ATW (Auto Tracking White Balance), One-Push AWB (Automatic White Balance) Fixed: 2800K, 4000K, 5000K, 6500K and 7500K
Privacy Zone Masking	Hiding/masking of up to 16 protected areas (up to 100% of the entire image)
Alarm notification	Via DaVid protocol to PGuard advance, via E-Mail and FTP image upload in preparation
Alarm trigger	Application restart, EdgeStorage status
Video Content Analysis <sup>5)</sup>	Intrusion Detection (detection of access to a defined area) Line Crossing (detection of a virtual line crossing) Tamper Detection (detection of manipulations on the camera) Object Classification (classification of objects) Face Detection (detection of faces) <sup>6)</sup>

Protocols	
Ethernet protocols	IPv4 (ARP, ICMP, IGMPv2/IGMPv3), UDP, TCP, LLDP, CDP (v1,v2), DSCP (QoS), DNS, DHCP, NTP, HTTP/HTTPS, RTSP/RTP/RTCP, SNMP (v1, v2c, v3)
Ethernet protocols in preparation	IPv6 (NDP, ICMPv6, MLDv1/MLDv2, SLAAC, RDNSS), UDPv6, TCPv6, DNSv6, DHCPv6, LDAP
Communication protocols	DaVid, DaVidS, ONVIF Profile S, SNMP (v1, v2c, v3)
Security	HTTPS encryption, SSL/TLS 1.2 (AES), network access control according to IEEE 802.1X

3) If the total available bit rate is not sufficient, not the image quality but the number of frames is adjusted.

4) Only for HDV variants in connection with the optional Interface Board Series 5100 (006612).

5) Depending on the CPU load.

6) The function detects the presence of a face (Face Detection). The analysis of visible features and the link to person data (Face Recognition) are not supported.

High Definition Camera, 2/4 MP, 1080p/60, H.264, H.265, Day/Night (ICR), HDR, Motor-driven Varifocal Lens, PoE, Dome Housing

Connections	
Video preview output <sup>7)</sup>	1x BNC (CVBS, 1.0V <sub>p-p</sub> , 75Ω), 704 × 576 @50 Hz, 704 × 480 @60 Hz (4:3)
Audio Line IN <sup>8)</sup>	1x 3.5mm phone jack for stereo plug Input level: max. 2.83V <sub>p-p</sub> Input impedance: 29kΩ
Audio Line OUT <sup>8)</sup>	1x 3.5mm phone jack for stereo plug Output level at 10kΩ load: max. 3.11V <sub>p-p</sub> Output impedance: 320Ω
Ethernet	1x RJ45, 10BASE-T/100BASE-TX PoE
Serial interface <sup>8)</sup>	1x RS485 (half duplex and full duplex)
Contact I/O interface <sup>8)</sup>	2x Contact IN 2x Contact OUT
Power IN <sup>8)</sup>	1x Weidmüller male connector SL 3.50/02/90G (mating connector Weidmüller BL 3.50/02/180 SN)

Electrical Data	
Voltage supply	12V DC <sup>8)</sup> PoE (Class 0)
PoE standard	IEEE 802.3af
Power consumption	Approx. 6W

Mechanical Data	HDV In-Ceiling Variants	HDV Surface Variants	HD Surface Variants (Indoor)
Dimensions	Approx. Ø 170 × H 135 mm Ø 6.7 × H 5.3 inches	Approx. Ø 152 × H 133 mm Ø 6.0 × H 5.3 inches	Approx. Ø 149 × H 124 mm Ø 6.0 × H 4.9 inches
Weight	Approx. 1200 g 2.6 lb	Approx. 1100 g 2.4 lb	Approx. 700 g 1.5 lb
Adjustment	3-axes		
Bubble	Clear (with black inner liner)		
Construction material	Aluminium		ABS polymer
Vandal-resistant	Yes		--
IK protection	IK10 (up to 20 joules)		--
IP rating	--	IP67	--
Color	Black with white housing ring	White	White

Environmental Conditions	
Operating temperature	-20°C to +50°C (-4°F to 122°F)
Relative humidity	0% - 90% RH, non-condensing

Miscellaneous	
Ambient light sensor	Integrated
Local memory	50 MB RAM memory
Memory extension	microSDXC 64 GB, Class 10, UHS-I (optional)
Configuration and live video	Via web browser (all major platforms)
Languages	German, English
Programming interface	Open platform for integration into 3rd party systems using API and ActiveX <sup>9)</sup>
ONVIF compliance	Profile S

Approvals/Certifications	
Type	CE, FCC, RCM, UL, DIN EN 50130-4 compliant

7) Only for HDV variants, not provided for HD variants (Indoor). Function not available if Video Content Analysis (VCA) is activated.

8) Only for HDV variants in connection with the optional Interface Board Series 5100 (006612).

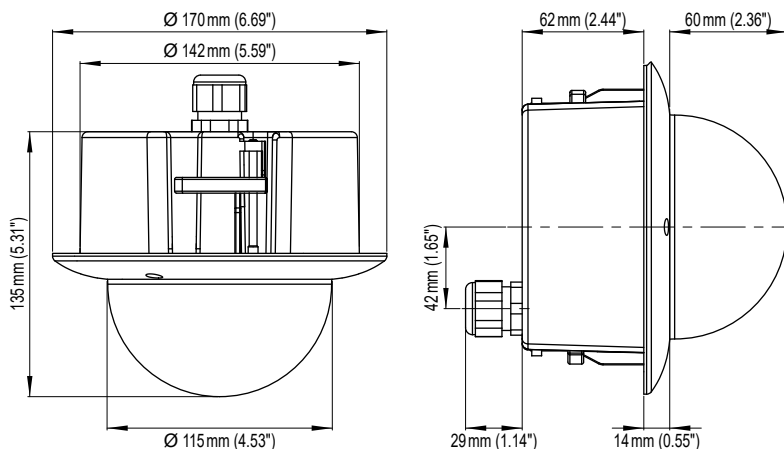
9) ActiveX is a trademark or registered trademark of Microsoft Corporation headquartered in Redmond, Washington, USA

# DDF5100HD Series

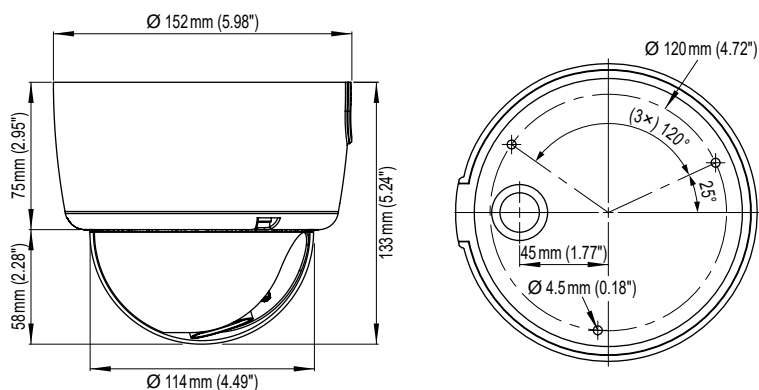
Primeline

High Definition Camera, 2/4 MP, 1080p/60, H.264, H.265, Day/Night (ICR), HDR, Motor-driven Varifocal Lens, PoE, Dome Housing

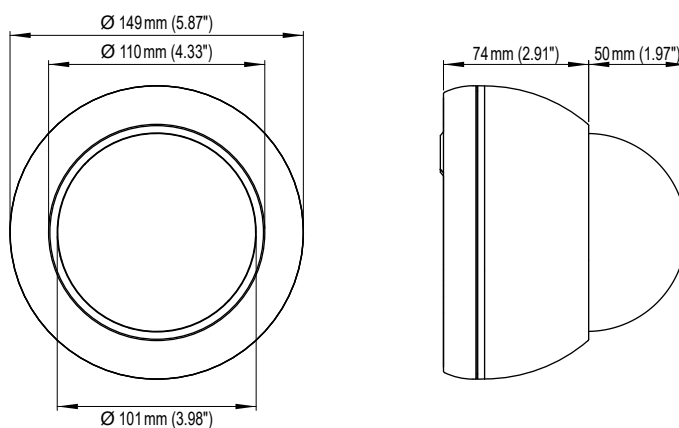
## HDV In-Ceiling Variants



## HDV Surface Variants



## HD Surface Variants (Indoor)



Dallmeier electronic GmbH & Co.KG | Bahnhofstr. 16, 93047 Regensburg, Germany | +49 941 8700-0 | dallmeier.com

All trademarks identified by \* are registered trademarks of Dallmeier electronic GmbH & Co.KG.

Third-party trademarks are named for information purposes only. Dallmeier electronic respects the intellectual property of third parties and always attempts to ensure the complete identification of third-party trademarks and indication of the respective holder of rights. In case that protected rights are not indicated separately, this circumstance is no reason to assume that the respective trademark is unprotected.

Specifications subject to change without notice. Errors and misprints excepted. Pictures may differ from the actual product.

 Dallmeier

© 2018 Dallmeier electronic V1.01 2018-08-03 7/7

MADE IN GERMANY 

