

## DDF4110HDV



The DDF4110HDV is a vandal-resistant high-definition high-end Cam\_inPIX® colour IP network dome.

- 1/3" Full high-definition CMOS image sensor with Cam\_inPIX® technology
- Pure Digital Signal Processing
- 10x optical zoom
- Additional 12x digital zoom
- ICR function for Day/Night switching
- Integrated Dallmeier Image Optimiser for perfect image quality even under difficult lighting conditions
- Enhanced image quality by means of numerous control functions such as AWB, AGC, BLC and slow shutter
- Zoom lens: F1.8-F2.1/ f=5.1-51 mm
- Auto-focus with manual override
- Resolution: SD, HD (720p), frame rate up to 30 fps
- Video compression: MJPEG, H.264
- Simultaneous multi-streaming with freely selectable resolutions, frame and bit rates of each stream
- Integrated SmartZoom functionality
- Integrated motion detection with selectable sensitivity
- Alarm notification via email and FTP image upload
- Local video memory (USB/SD port)
- Integrated 64 MB RAM video buffer
- PoE ready
- Power supply: PoE or 24V AC
- Tri-axial adjustment
- Three available camera variants: in-ceiling mount, surface mount and weather-proof housing
- Compact, vandal-resistant housing with IP67 (surface mount variant)
- DIN EN 50130-4 compliant

Variants	
Item number	
200.408.01.100	DDF4110HDV-IM 720p / Day-Night / white / clear bubble / in-ceiling mount variant Zoom lens F1.8-F2.1/ 5.1-51mm
200.408.02.100	DDF4110HDV-SM 720p / Day-Night / white / clear bubble / surface mount variant Zoom lens F1.8-F2.1/ 5.1-51mm
200.408.03.100	DDF4110HDV-WM 720p / Day-Night / white / clear bubble / weather-proof variant Zoom lens F1.8-F2.1/ 5.1-51mm

Options	
Item number	
200.407.01.01	Clear bubble, for dome cameras
200.407.01.02	Tinted bubble, for dome cameras
200.407.02.999	Design colours: Depending on customer demand, housing colour available according to PAL or Pantone colour scale / for in-ceiling mount variants., For enquires please contact design@dallmeier.com
200.516.1	EvC-1, High-Speed Ethernet data transmission via coaxial cable
100.041	Universal power pack 240V AC / 24V AC, removable adapter EU/UK/US/AUS
200.511	DPU-240W Dallmeier Power Supply Unit, 24/28V AC for the supply of up to 20x cameras

## Technical specifications

Sensor	1/3" Full High-Definition CMOS sensor with Cam_inPIX®
Signal processing	Digital Signal Processing
Image capture	Progressive
Transfer format	Progressive (full image)
Image resolution	Up to 1280 x 720 (HD)
B/W and colour mode	Automatic / manual
Day/Night functionality	Mechanical ICR function for Day/Night switching
Light sensitivity	At F1.8, 30IRE: 2 lux, (-DN) 0.2 lux
Zoom	Optical: 10x, digital: 12x
Focus	Automatic, one push, manual
Shutter speed	1/2 s to 1/10000 s (in 21 steps)
Signal to noise ratio (SNR)	> 50 dB
Digital noise reduction (DNR)	On/Off
Brightness adjustment (ALC/AE)	Automatic / manual
Backlight compensation (BLC)	On/Off
Automatic gain control (AGC)	Automatic / manual (-3 to +18 dB in 8 steps)
Gamma correction	Automatic / manual
Adjustable white balance	AWB, MWB, One push WB, indoor, outdoor
AE presets	6 presets
Configuration	Via web browser
Languages	English, German, French, Spanish, Hungarian
Motion detection (VMD)	With selectable sensitivity
Alarm notification	Via e-mail and ftp upload
SmartZoom	Integrated

### Lens specifications

Iris range/ focal length range	F1.8–F2.1/ 5.1-51 mm
Iris control	DC auto iris
Horizontal angle of view	Approx. 50° - 5.4°
IR filtering	Included IR Cut filter
Adjustable vertical angle of vision	Wide end: 88.5°, tele end: 75° (for a display without shadowing)

### Format and coding

Video/audio compression	H.264, MJPEG / G.722, MPEG-1 Layer 2
HD standard	SMPTE 296M
Frame rate	Up to 30 fps
Video/audio bit rate	Up to 16 Mbps (6 Mbps typical) / up to 384 kbps
Resolution	SD, HD (720p)
Video streaming	Multi streaming simultaneous: H.264 and MJPEG with independently adjustable resolutions, frame and bit rates of the individual streams
Multi streaming frame rate	Up to 25 fps with maximal resolution

### Interfaces

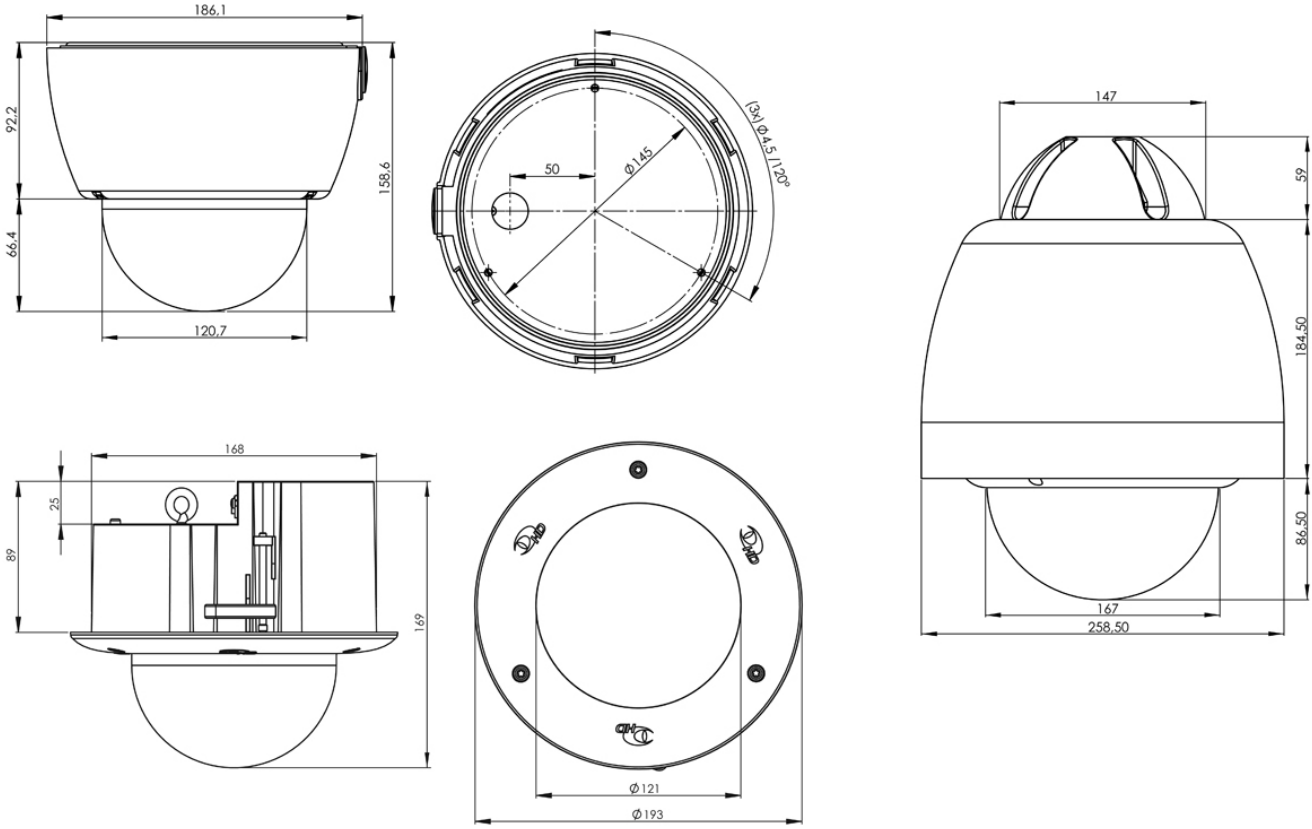
Video outputs	1x CVBS/3.5 mm phone jack (preview: analogue SD output)
Audio inputs	1x 3.5 phone jack (Line IN, stereo)
Audio outputs	1x 3.5 phone jack (stereo)
Ethernet	1x RJ45, 10BASE-T-/100BASE-TX-PoE
Ethernet protocols	IPv4, TCP, UDP, ARP, ICMP, DHCP, NTP, HTTP, RTSP, IGMP V2, RTP, RTCP
Local video memory	Via integrated USB-/SD-port
Video buffer	64MB RAM ring storage (pre- and post alarm, network failure compensation)
Contact IN / relay OUT	3x IN / 1x OUT
Serial	1x RS485 (full-duplex)
Programming interface	Open API for 3rd party systems integration via Dallmeier ActiveX*

### Further specifications

Video norm	HDTV, SDTV (PAL/NTSC)
Voltage supply	24V AC +/- 10% (50/60 Hz) or via PoE (class 0)
PoE conformity	IEEE 802.3af (no PoE adapter required)
Power consumption	PoE Class 0: max. 12.94 W, 24V AC: max. 15.2 W (in-ceiling and surface mount variant) 24V AC: max. 79.2 W (weather-proof variant)
Dimensions	Approx. Ø 186.1 x H 158.6 mm (surface mount variant) Approx. Ø 193 x H 164.4 mm (in-ceiling mount variant) Approx. Ø 259 x H 330 mm (weather-proof variant)
Weight	Approx. 2000 g (in-ceiling and surface mount variant) Approx. 4100 g (weather-proof variant)
Operating temperature	Surface mount variant (in- and outdoor): -10°C - 40°C In-ceiling mount variant (indoor): 0°C - 35°C Weather-proof variant (outdoor): -30°C - 50°C
Humidity	0% - 90% RH non-condensing
IP rating	IP67 (surface mount and weather-proof variant)
Approvals/certifications	CE, FCC, UL, ACA, CB, DIN EN 50130-4

DDF4110HDV

Technical drawings



[mm]