

DDF4010HDV

High-end IP Network Dome Camera, Vandal-resistant (IK10), High-Definition (Full HD), 1080p, 10× Optical Zoom, Auto-focus, Day/Night



The **DDF4010HDV** is a **high-end vandal-resistant Full High-Definition** IP network dome camera with **Cam_inPIX®** technology, **10× optical zoom**, **auto-focus** and automatic **Day/Night** switching.

Features

- 1/3" Full HD CMOS image sensor with Cam_inPIX® technology
- Pure Digital Signal Processing
- Zoom lens F1.8–F2.1/f=5.1–51 mm
- Auto-focus with manual override
- 10× optical zoom
- 12× digital zoom
- ICR¹⁾ function for Day/Night switching
- High light sensitivity: Minimum illumination 0.2lux (with ICR On)
- Dallmeier Image Optimizer for perfect image quality even under difficult lighting conditions
- Comprehensive set of image optimization functions like AWB, AGC, BLC and Slow Shutter
- Resolution: SD, HD (720p, 1080i, 1080p)
- Video compression: H.264, MJPEG
- Frame rate up to 60fps²⁾
- Simultaneous Dual-Streaming with freely selectable resolutions, frame and bit rates of each stream
- Motion detection with selectable sensitivity³⁾
- Alarm notification via e-mail and FTP image upload³⁾
- Local video memory (USB/SD port)³⁾
- 64 MB RAM video buffer
- Analogue video preview output
- Bidirectional audio (intercom)
- PoE ready
- Voltage supply (camera) with 24 V AC or via PoE (Class 0)
- 3-axis adjustment
- Three available mounting variants: in-ceiling mount (IM), surface mount (SM) or weather-proof (WM) variant
- Compact, vandal-resistant (IK10) housing
- IP67 (surface mount variant and weather-proof variant)
- ONVIF compliant
- DIN EN 50130-4 compliant

Variants

000430.401	DDF4010HDV-IM IP network dome camera, vandal-resistant, Full HD, 1080p, 10× optical zoom, Day/Night, in-ceiling mount variant
000431.401	DDF4010HDV-SM IP network dome camera, vandal-resistant, Full HD, 1080p, 10× optical zoom, Day/Night, surface mount variant
000432.401	DDF4010HDV-WM IP network dome camera, vandal-resistant, Full HD, 1080p, 10× optical zoom, Day/Night, weather-proof variant

Options

001109	Wall Mount Bracket Outdoor White, for weather-proof housing
001111	Pole Mount Bracket Outdoor, white, for weather-proof housing
001112	Corner Mount Bracket Outdoor, white, for weather-proof housing
003847	Junction Box DJB-115W Outdoor, white, for weather-proof housing
001115	Mounting Plate Outdoor, white, for Wall Mount Bracket Outdoor (surface mounting), for Ceiling Mount Bracket (surface mounting), for Junction Box DJB-115W (corner and pole mounting)
001116	Roof Mount Bracket⁴⁾ Swan neck, outdoor, white, for weather-proof housing
001117	Ceiling Mount Bracket Outdoor, white, for weather-proof housing
001431	EvC-1 High-Speed Ethernet data transmission via coaxial cable
001677	Power Supply Unit (240 V AC -> 24 V AC) 1000mA, Europlug

1) ICR=IR Cut Filter Removable
 2) Depending on the set resolution
 3) Function in preparation
 4) Not compatible with item number 003847

DDF4010HDV

High-end IP Network Dome Camera, Vandal-resistant (IK10),
High-Definition (Full HD), 1080p, 10× Optical Zoom, Auto-focus, Day/Night

Specifications

Sensor

Type	1/3" Full High-Definition CMOS image sensor with Cam_inPIX® technology
Signal processing	Pure Digital Signal Processing
Image capture	Interlaced/Progressive Scan
Minimum illumination	ICR On: 0.2lux (F1.8, 30IRE) ICR Off: 2lux (F1.8, 30IRE)
Signal to noise ratio (SNR)	More than 50 dB

Functions

Zoom	10× optical, 12× digital
Focus control	Automatic (AF), One-Push AF, Manual
Day/Night switching	ICR function (adjustable switching threshold level)
B/W (black-and-white) mode	Automatic (in Night mode), Manual
Electronic shutter	1/2 to 1/10000s (21 steps)
Exposure control	Automatic (AE), Shutter Priority, Iris Priority, Manual
Gain control	Automatic (AGC), Manual (-3 to 18 dB, 8 steps)
Exposure compensation	-10.5 to 10.5 dB (15 steps, 1.5 dB increments)
Gamma mode	Normal, Cinema Type 1, Cinema Type 2
Backlight compensation (BLC)	On/Off
White balance	AWB (Automatic White Balance), Indoor, Outdoor, One-Push, MWB (Manual)
Effects	B/W (black-and-white), Negative
Motion detection ⁵⁾ (VMD)	With selectable sensitivity
Alarm notification ⁵⁾	Via e-mail and FTP image upload
Configuration	Via web browser
Languages	English, German, French, Spanish, Italian

Lens

Type	Zoom lens F1.8–F2.1 / f=5.1–51 mm
Iris control	DC auto iris
Horizontal angle of view	Approx. 50° (at wide end)–5.4° (at tele end)
Max. tilt angle (w/o shadowing)	Approx. 75° (at wide end), 88.5° (at tele end)

Format and Encoding

HD standards	SMPTE 296M, SMPTE 274M
Resolution	SD, HD (720p, 1080i, 1080p)
Video compression	H.264, MJPEG
Audio compression	G.711, G.722.1, MPEG-1/2 Layer 2
Frame rate	Up to 60fps (depending on the set resolution)
Video bit rate	0.25–8Mbps, CBR (constant bit rate) or VBR (variable bit rate)
Audio bit rate	Up to 160 kbps (MPEG-1/2 Layer 2)
Video streaming	Simultaneous Dual-Streaming (H.264, MJPEG) with freely selectable resolutions, frame and bit rates of each stream
Dual-Streaming frame rate	Up to 30fps with maximum resolution
Transfer format	Progressive (full image)
Transmission methods	Unicast, Multicast

Miscellaneous

Video output	1× 3.5 mm phone jack (CVBS, analogue SD video preview output, for local installation only)
Audio IN (Stereo)	1× 3.5 mm phone jack (Line IN)
Audio OUT (Stereo)	1× 3.5 mm phone jack
Local video memory	USB/SD port integrated ⁵⁾
Video buffer	64 MB RAM ring storage (pre- and post alarm, network failure compensation)
Contact IN	3× IN
Contact OUT	1× OUT
Serial interface	1× RS485 (full duplex, half duplex)
Ethernet	1× RJ45, 10BASE-T-/100BASE-TX-PoE
Ethernet protocols	IPv4, TCP, UDP, ARP, ICMP, DHCP, NTP, HTTP, RTSP, IGMP V2, FTP ⁵⁾ , SMTP ⁵⁾ , RTP, RTCP
Programming interface	Open platform for integration into third-party systems using API and ActiveX*

5) Function in preparation

DDF4010HDV

High-end IP Network Dome Camera, Vandal-resistant (IK10),
High-Definition (Full HD), 1080p, 10× Optical Zoom, Auto-focus, Day/Night

Specifications (Continued)

Electrical Data

Voltage supply	Camera:	Power supply unit 1 with 24 V AC ±10% (50/60 Hz) or via PoE (Class 0),
PoE standard	Fan/heater (weather-proof housing):	Power supply unit 2 with 24 V AC (50/60 Hz), max. 3A
Power consumption	IEEE 802.3af	
	Camera via PoE (Class 0):	max. 12.94 W
	Camera with 24 V AC:	max. 15.2 W
	Fan/heater (weather-proof housing):	max. 64 W

Mechanical Data

Dimensions	In-ceiling mount variant:	approx. Ø 193 × H 169 mm (Ø 7.6 × H 6.7 inches)
	Surface mount variant:	approx. Ø 186 × H 161 mm (Ø 7.3 × H 6.3 inches)
	Weather-proof variant:	approx. Ø 258.5 × H 330 mm (Ø 10.18 × H 12.99 inches)
Weight	In-ceiling mount variant:	approx. 2000 g (4.4 lb)
	Surface mount variant:	approx. 2000 g (4.4 lb)
	Weather-proof variant:	approx. 4100 g (9.0 lb)
Adjustment	3-axis	
Bubble	Clear (with black inner liner for discrete surveillance)	
Vandal-resistant	Yes	
IK protection	IK10 protection against external mechanical impacts (up to 20 joules)	
IP rating	IP67 (surface mount variant and weather-proof variant)	

Fan/heater (weather-proof housing)

Fan/heater	On: ≤ +5°C (±3°C), Off: ≥ +10°C (±3°C); On: ≤ 41°F (±5°F), Off: ≥ 50°F (±5°F)
------------	---

Environmental Conditions

Operating temperature	In-ceiling mount variant (indoor):	-10°C to +40°C (14°F to 104°F)
	Surface mount variant (in- and outdoor):	-10°C to +40°C (14°F to 104°F)
	Weather-proof variant (outdoor):	-40°C to +50°C (-40°F to 122°F)
		(minimum start-up temperature: -30°C/-22°F)
Relative humidity	0%–90% RH, non-condensing	

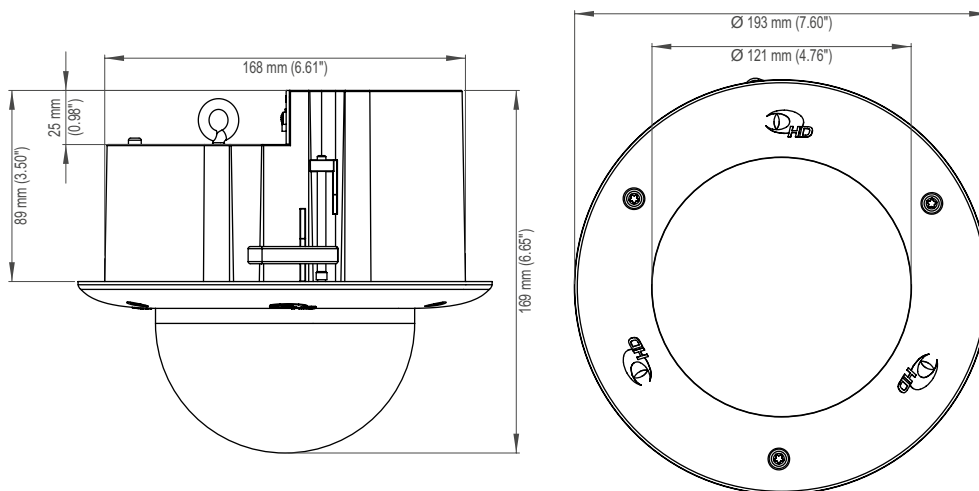
Approvals/Certifications

Type	CE, FCC, UL, ACA, UVV "Kassen" (DGUV Test), CB, DIN EN 50130-4 compliant
------	--

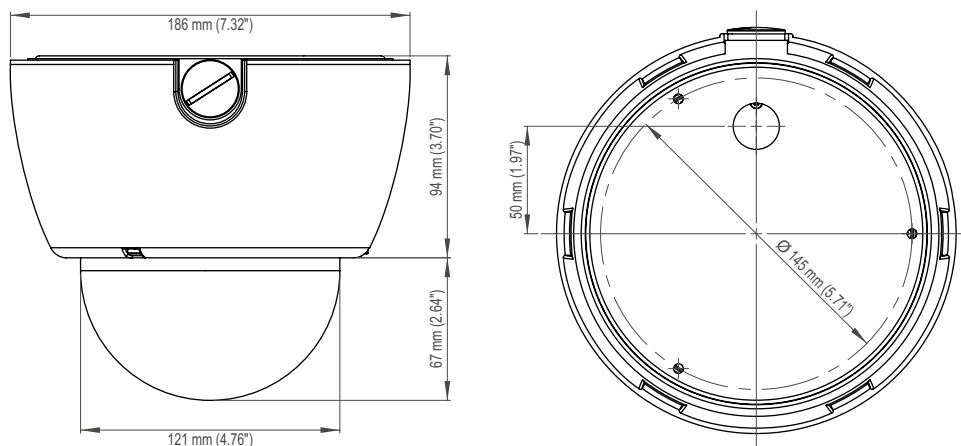
DDF4010HDV

High-end IP Network Dome Camera, Vandal-resistant (IK10),
High-Definition (Full HD), 1080p, 10× Optical Zoom, Auto-focus, Day/Night

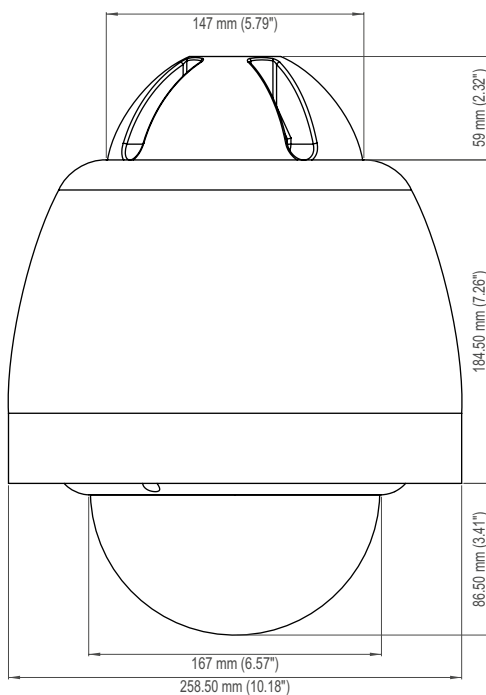
Dimensions



In-ceiling mount variant



Surface mount variant



Weather-proof variant