

# DHI-ITC314-PH1A

## 3Mega Parking Space Detector



### Order Information

DHI-ITC314-PH1A-F2, DHI-ITC314-PH1A-F3

### Features

- Dual DSP processor architecture.
- Unique dual-streaming insure high quality photo output and video output.
- Advanced video compression technology, high compression rate, accurate and stable bit stream control
- Multi(dual) encoding streams and ACF (activity control frame) supported.
- Interactive design with parking space indicator, in in-ceiling installation.
- Indicator supports at least 7 colors which can be adjusted. It detects vehicle via video, plate recognition, and trigger parking indicator, showing if parking is idle or occupied.
- 1 parking space detector can simultaneously detect 3 spaces.

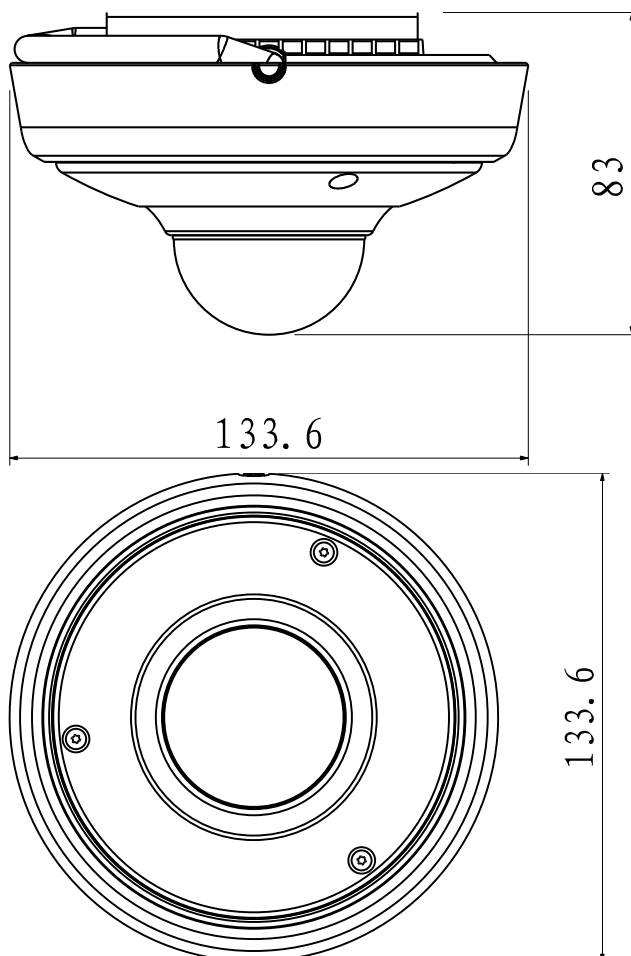
### Technical Specifications

Model	ITC314-PH1A	
Camera	Sensor Type	1/3 inch CMOS
	Electronic Shutter	1/3s~1/10000s, may be manual or auto
	Day/Night	Electronic day/night switch
	Gain Control	Auto
	White Balance	Auto
Image	Image Compression Standard	JPEG
	Image Resolution	2048×1536, 2304×1296
Video Parameter	Video Compression Standard	H.264
	Video Bit Stream	1.2Mbps~6Mbps
	Video Frame Rate	1 fps~12 fps
	Video Resolution	2048×1536, 2304×1296, 12 fps
Function	Plate Recognition	Support
	Parking Status Check	Support

## DHI-ITC314-PH1A

	Parking Indicator	7 types: red, yellow, blue, green, cyan, white and pink lights
	Remote Control	Via WEB
	OSD Overlay	Support, may customize time, location, parking no. and parking status
	Waterproof	Support waterproof and parity function
Port	Network Port	2, RJ45 10M/100M self-adaptive Ethernet port
	RS485 Port	2
	Lens Port	M12 (2.8、3.6mm lens optional)
Alarm Parameter	Alarm Output	1-ch
	Alarm Input	3-ch
General	Power	DC 12V
	Consumption	<7W
	Working Temperature	- 20°C ~ + 60°C
	Working Humidity	10%~90%
	Dimension	Φ133.6 x 83mm
	Weight	550g

### Dimension (mm)



# DHI-ITC314-PH1A

---

**Dahua Technology Co., Ltd.**

1199BinAn Road, Binjiang District, Hangzhou, China

Tel: +86-571-87688883

Fax: +86-571-87688815

Email: [overseas@dahuatech.com](mailto:overseas@dahuatech.com)

[www.dahuasecurity.com](http://www.dahuasecurity.com)

\*Design and specifications are subject to change without notice.

© 2015Dahua Technology Co., Ltd.