

## DH-IPC-HFW3200/3202C

### 2Megapixel Full HD Network (Motorized) IR-Bullet Camera



#### Features

- 1/3" 2Megapixel progressive scan Exmor CMOS
- H.264 & MJPEG dual-stream encoding
- 25/30fps@1080P(1920×1080)
- DWDR, Day/Night(ICR), 2DNR, Auto iris, AWB, AGC, BLC
- Multiple network monitoring: Web viewer, CMS(DSS/PSS) & DMSS
- 3.3-12mm varifocal lens
- 3~9mm varifocal motorized lens (3202)
- Built-in 2/1 alarm in/out
- Max. IR LEDs length 20m
- Micro SD memory, IP66, PoE

# DH-IPC-HFW3200/3202C

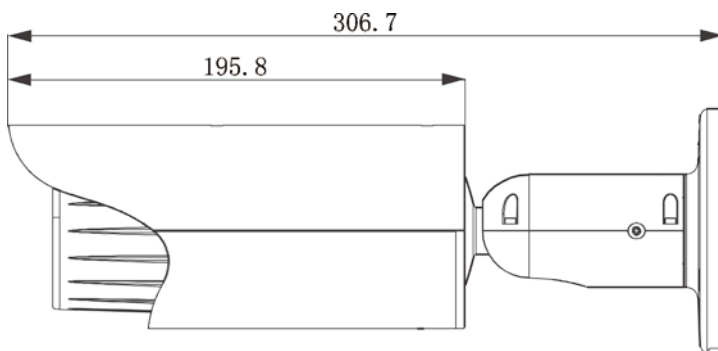
## Specifications

Model	IPC-HFW3200CP	IPC-HFW3202CP	IPC-HFW3200CN	IPC-HFW3202CN
<b>Camera</b>				
Image Sensor	1/3" 2Megapixel Exmor CMOS			
Effective Pixels	1920(H)x1080(V)			
Scanning System	Progressive			
Electronic Shutter Speed	Auto/Manual, 1/3~1/10000s		Auto/Manual, 1/4~1/10000s	
Min. Illumination	Color: 0.1Lux/F1.2, B/W: 0.01Lux/F1.2; 0Lux/F1.2(IR on)			
S/N Ratio	>50dB			
Video Output	1 channel, BNC(1.0Vp-p/75Ω)			
<b>Camera Features</b>				
Max. IR LEDs Length	20m			
Day/Night	Auto(ICR)/Color/B/W			
Backlight Compensation	BLC / HLC / DWDR			
White Balance	Auto			
Gain Control	Auto/Manual			
Noise Reduction	2D			
Privacy Masking	Up to 4 areas			
<b>Lens</b>				
Focal Length	3.3~12mm	3~9mm motorized	3.3~12mm	3~9mm motorized
Max Aperture	F1.4	F1.2	F1.4	F1.2
Focus Control	Manual	Auto	Manual	Auto
Angle of View	H: 79.3°(Wide) ~29.8°(Tele)	H: 105°(Wide) ~36°(Tele)	H: 79.3°(Wide) ~29.8°(Tele)	H: 105°(Wide) ~36°(Tele)
Lens Type	Manual / Auto Iris (DC)	Motorized / Auto Iris(DC)	Manual / Auto Iris (DC)	Motorized / Auto Iris(DC)
Mount Type	Board-in Type			
<b>Video</b>				
Compression	H.264 / MJPEG			
Resolution	1080P(1920×1080) / 720P(1280×720) / D1(704×576) / CIF(352×288) /		1080P(1920×1080) / 720P(1280×720) / D1(704×480) / CIF(352×240)	
Frame Rate	Main Stream	1080P/720P(1 ~ 25/30fps)		
	Sub Stream	D1/CIF(1 ~ 25/30fps)		
Bit Rate	H.264: 32K ~ 8192Kbps, MJPEG: 32K ~ 20480Kbps			
<b>Audio</b>				
Compression	G.711a / G.711u(64kbps) / PCM(128kbps)			
Interface	1/1 channel In/Out			

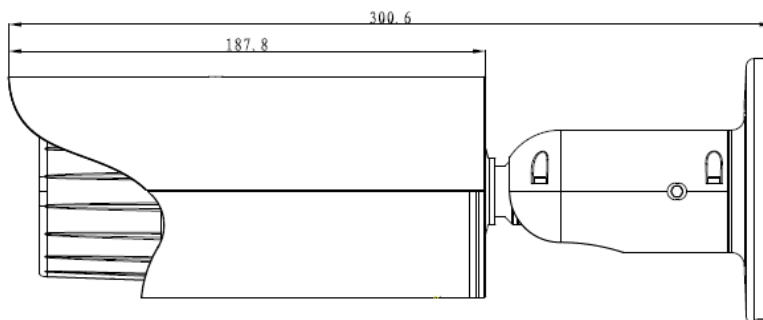
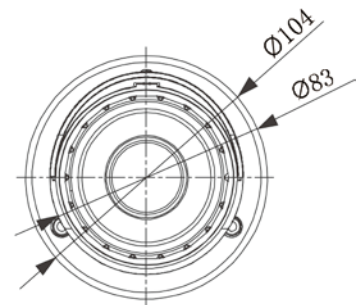
## DH-IPC-HFW3200/3202C

Network	
Ethernet	RJ-45 (10/100Base-T)
Protocol	IPv4/IPv6, HTTP, HTTPS, SSL, TCP/IP, UDP, UPnP, ICMP, IGMP, SNMP, RTSP, RTP, SMTP, NTP, DHCP, DNS, PPPOE, DDNS, FTP, IP Filter, QoS, Bonjour
ONVIF	ONVIF Ver. 2.0
Max. User Access	10 users
Smart Phone	iPhone, iPad, Android, Windows Phone
Auxiliary Interface	
Memory Slot	Micro SD, Max 32GB
Alarm	2/1 channel In/Out
General	
Power Supply	DC12V(AC24 optional), PoE(802.3af)
Power Consumption	<10W
Working Environment	-10°C~+60°C, 10%~90%
Ingress Protection	IP66
Dimensions	φ104mm × 306.7mm
Weight	1.25Kg

### Dimensions (mm)



IPC-HFW3200C



IPC-HFW3202C

## DH-IPC-HFW3200/3202C

---

### **Dahua Technology Co., Ltd.**

1187 BinAn Road, Binjiang District, Hangzhou, China

Tel: +86-571-87688883

Fax: +86-571-87688815

Email: [overseas@dahuatech.com](mailto:overseas@dahuatech.com)

[www.dahuasecurity.com](http://www.dahuasecurity.com)

\*Design and specifications are subject to change without notice.

© 2013 Dahua Technology Co., Ltd.