

DH-IPC-HDBW3301-DI

3Megapixel Full HD WDR Vandal-proof IR Network In-ceiling Dome Camera



Features

- 1/3" 3Megapixel progressive scan Aptina CMOS
- H.264 & MJPEG dual-stream encoding
- Max 20fps@3.0M(2048×1536)&25/30fps@1080P(1920×1080)
- WDR, Day/Night(ICR), 3DNR, Auto iris, AWB, AGC, BLC
- Multiple network monitoring: Web viewer, CMS(DSS/PSS) & DMSS
- 3.3~12mm varifocal lens
- Built-in 1/1 alarm in/out
- Max. IR LEDs length 20m
- Micro SD memory, IP66, IK10, PoE,

DH-IPC-HDBW3301-DI

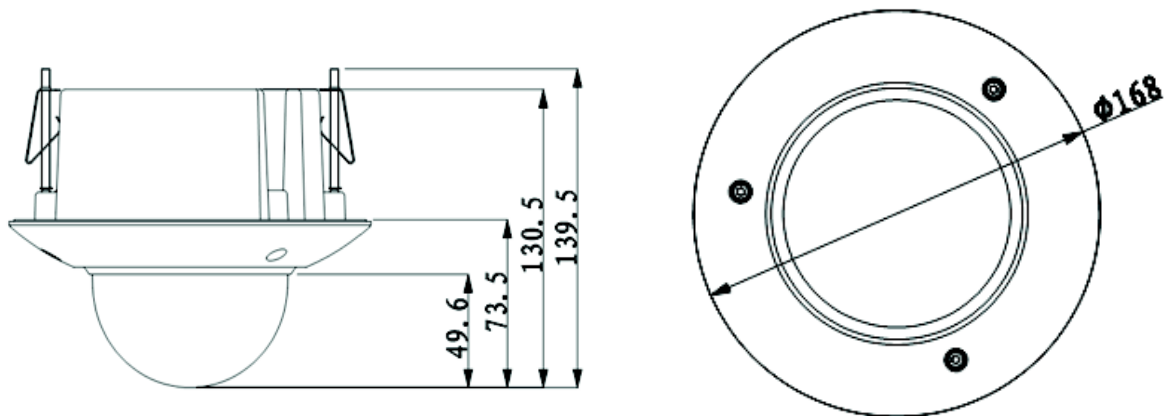
Technical Specifications

Model	IPC-HDBW3301P-DI	IPC-HDBW3301N-DI
Camera		
Image Sensor	1/3" 3Megapixel Aptina CMOS	
Effective Pixels	2052(H) x 1536(V)	
Scanning System	Progressive	
Electronic Shutter Speed	Auto/Manual 1/3~1/10000	Auto/Manual 1/4~1/10000
Min. Illumination	Color: 0.1Lux/F1.4, B/W: 0.01Lux/F1.4; 0Lux/F1.4(IR on)	
S/N Ratio	More than 50dB	
Video Output	1 Port	
Camera Features		
Max. IR LEDs Length	20m	
Day/Night	Auto(ICR)/Color/B/W	
Backlight Compensation	BLC / HLC / WDR (100dB)	
White Balance	Auto	
Gain Control	Auto/Manual	
Noise Reduction	3D	
Privacy Masking	Up to 4 areas	
Lens		
Focal Length	3.3-12mm	
Max Aperture	F1.4	
Focus Control	Manual	
Angle of View	H: 91.2°(Wide)~25.5°(Tele)	
Lens Type	Manual /Auto Iris (DC)	
Mount Type	Board-in Type	
Video		
Compression	H.264 / MJPEG	
Resolution	3.0M(2048×1536)/1080P(1920×1080)/720P(1280×720)/D1(704×576)/CIF(352×288)	3.0M(2048×1536)/1080P(1920×1080)/720P(1280×720)/D1(704×480)/CIF(352×240)
Frame Rate	Main Stream	3M(1~15fps)/1080P/720P(1 ~ 25/30fps)
	Sub Stream	D1/CIF(1 ~ 25/30fps)
Bit Rate	H.264: 32K ~ 8192Kbps	
Audio		
Compression	G.711a / G.711u/ PCM	
Interface	1/1 channel In/Out	
Network		
Ethernet	RJ-45 (10/100Base-T)	
Wi-Fi	N/A	
Protocol	IPv4/IPv6, HTTP, HTTPS, SSL, TCP/IP, UDP, UPnP, ICMP, IGMP, SNMP, RTSP,	

DH-IPC-HDBW3301-DI

	RTP, SMTP, NTP, DHCP, DNS, PPPOE, DDNS, FTP, IP Filter, QoS, Bonjour
ONVIF	ONVIF Profile S
Max. User Access	10 users
Smart Phone	iPhone, iPad, Android, Windows Phone
Auxiliary Interface	
Memory Slot	Micro SD, Max 64GB
RS485	N/A
Alarm	1/1 channel In/Out
PIR Sensor Range	N/A
General	
Power Supply	DC12V/AC24V, PoE(802.3af)
Power Consumption	<8W
Working Environment	-10°C~+60°C, 10%~90%
Ingress Protection	IP66
Vandal Resistance	IK10
Dimensions	Φ 146mm×139.5mm
Weight	1.18Kg

Dimensions (mm)



Dahua Technology Co., Ltd.

1187 BinAn Road, Binjiang District, Hangzhou, China

Tel: +86-571-87688883

Fax: +86-571-87688815

Email: overseas@dahuatech.com

www.dahuasecurity.com

*Design and specifications are subject to change without notice.

© 2013 Dahua Technology Co., Ltd.