

DH-IPC-HDB(W)8301

3MP WDR Ultra-Smart Network (IR) Dome Camera



Features

- 1/3" 3 Megapixel progressive scan CMOS
- Support H.264/MJPEG dual codec
- Smart triple streams supported
- Max 25/30fps@3MP(2048x1536)
- Ultra WDR (Wide Dynamic Range) up to 120dB
- Ultra 3D DNR
- Ultra Defog, ROI, EIS
- Smart IR technology(HDBW8301)
- Smart detection:
 - Face detection
 - Tripwire detection
 - Intrusion detection
 - Scene change detection
- Max. IR LEDs length 20m (HDBW8301)
- 100/1000M Base-T Ethernet,
- Micro SD memory, IP66, IK10, PoE,

DH-IPC-HDB(W)8301

Technical Specifications

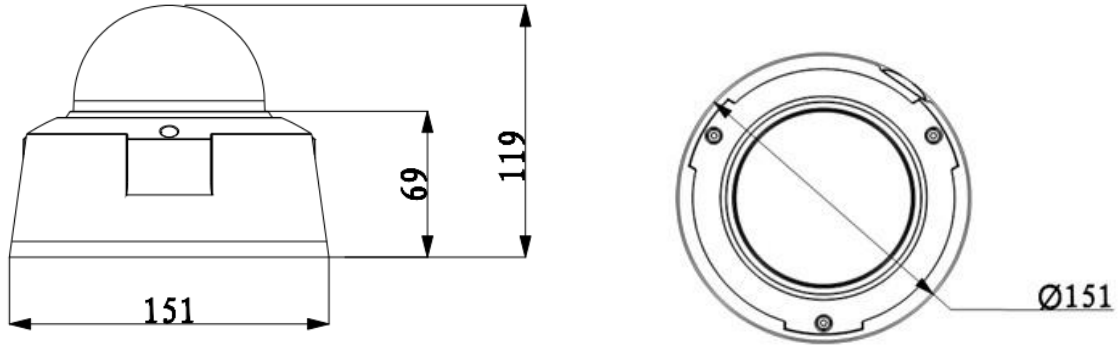
Model	IPC-HDB8301		IPC-HDBW8301
Camera			
Image Sensor	1/3" 3Megapixel Aptina CMOS		
Effective Pixels	2048(H)x1536(V)		
Scanning System	Progressive		
Electronic Shutter Speed	Auto/Manual 1/3(4)~1/10000		
Min. Illumination	Color: 0. 1Lux/F1.4, B/W: 0.01Lux/F1.4;		
S/N Ratio	More than 50dB		
Video Output	1 port		
Camera Features			
Max. IR LEDs Length	N/A	20m, Smart IR technology	
Day/Night	Auto(ICR)/Color/B/W		
Backlight Compensation	BLC / HLC / WDR (120dB)		
White Balance	Auto		
Gain Control	Auto/Manual		
Noise Reduction	3D		
Privacy Masking	Up to 4 areas		
EIS	Support		
Ultra Defog	Support		
Lens			
Focal Length	2.7 -12mm		
Max Aperture	F1.4		
Focus Control	Manual		
Angle of View	H: 82°~25°		
Lens Type	Manual/ Auto Iris(DC)		
Mount Type	Board-in Type		
Video			
Compression	H.264 / MJPEG		
Resolution	3M(2048×1536)/1080P(1920×1080) / 720P(1280×720) /D1(704×576) / CIF(352×288)		
Frame Rate	Main Stream	3M/1080P/720P(1~25/30fps)	
	Sub Stream	D1/CIF(1 ~ 25/30fps)	
	Third Stream	1080P/720P/D1(1 ~ 25/30fps)	
Bit Rate	H.264: 32K ~ 8192Kbps		
ROI	Up to 4 areas		
Audio			
Compression	G.711a / G.711u		
Interface	1/1 channel In/Out		
Intelligent Function			
Smart detection	Tripwire		
	Intrusion		
	Scene change		

DH-IPC-HDB(W)8301

	Missing/Abandoned
	Audio detect
	Face detect
Network	
Ethernet	RJ-45 (100/1000Base-T)
Wi-Fi	N/A
Protocol	IPv4/IPv6, HTTP, HTTPS, SSL, TCP/IP, UDP, UPnP, ICMP, IGMP, SNMP, RTSP, RTP, SMTP, NTP, DHCP, DNS, PPPOE, DDNS, FTP, IP Filter, QoS, Bonjour
Compatibility	ONVIF, PSIA, CGI
Max. User Access	20 users
Smart Phone	iPhone, iPad, Android, Windows Phone
Auxiliary Interface	
Memory Slot	Micro SD, Max 64GB
RS485	N/A
Alarm	1/1 channel In/Out
PIR Sensor Range	N/A
General	
Power Supply	DC12V/AC24V, PoE(802.3af)
Power Consumption	Max 8W(IR ON:+2W)
Working Environment	-30°C~+60°C , Less than 90%RH
Ingress Protection	IP66
Vandal Resistance	IK10
Dimensions	Φ151mm×119mm
Weight	1.25kg

DH-IPC-HDB(W)8301

Dimensions (mm)



Accessories (optional)

				
PFA100	PFB302S	PFA132	PFA152	PFA151

Dahua Technology Co., Ltd.

1199 BinAn Road, Binjiang District, Hangzhou, China

Tel: +86-0571-87688883

Fax: +86-0571-87688815

Email: overseas@dahuatech.com

www.dahuatech.com

*Design and specifications are subject to change without notice.

© 2014 Dahua Technology Co., Ltd.