

DH-IPC-F665

D1 Network Camera



Features

- 1/3" SONY Super HAD CCD
- H.264 dual-stream encoding
- 25/30fps@D1/HD1/CIF/QVGA resolution
- Day/Night, 2DNR, Auto iris, AWB, AGC, BLC
- Multiple network monitoring: Web viewer, CMS(DSS/PSS) & DMSS
- Built-in 1/1 alarm in/out
- PoE(not for -W series); Wi-Fi(-W only)
- SD memory, PoE

DH-IPC-F665

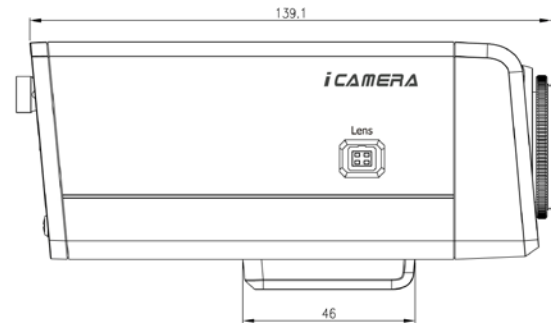
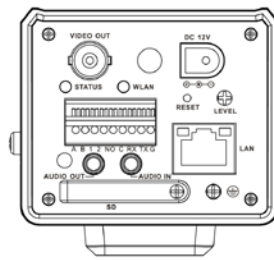
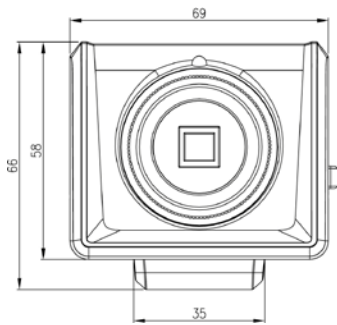
Technical Specifications

Model	IPC-F665P	IPC-F665P-W	IPC-F665N	IPC-F665N-W
Camera				
Image Sensor	1/3" SONY Super HAD CCD			
Effective Pixels	795(H)x596(V)			
Scanning System	Interlacing			
Electronic Shutter Speed	Auto/Manual,1/25~1/10000s		Auto/Manual,1/30~1/10000s	
Min. Illumination	0. 2LUX/F1.2			
S/N Ratio	> 50dB			
Video Output	1 channel BNC(1.0Vp-p, 75Ω)			
Camera Features				
Day/Night	Auto(Electronic) / Color / B/W			
Backlight Compensation	BLC			
White Balance	Auto			
Gain Control	Auto/Manual			
Noise Reduction	2D			
Privacy Masking	Up to 4 areas			
Lens				
Lens Type	C/CS			
Video				
Compression	H.264			
Resolution	D1(704×576) /HD1(704×288) /(CIF(352×288)/QCIF(176×144/ QVGA(320×240)/QQVGA(160x120)		D1(704×480) /HD1(704x240)/ CIF(352×240)/QCIF(176x120)/ QVGA(320×240)/QQVGA(160x120)	
Frame Rate	Main Stream	D1 (1 ~ 25/30fps)		
	Sub Stream	D1/CIF(1 ~ 25/30fps)		
Bit Rate	H.264: 32K ~ 4096Kbps,			
Audio				
Compression	G.711a / G.711u(64kbps)/PCM(128kbps)			
Interface	1/1 channel In/Out			
Network				
Ethernet	RJ-45 (10/100Base-T)			
Wi-Fi	N/A	802.11b/g	N/A	802.11b/g
Protocol	IPv4/IPv6, HTTP, HTTPS, SSL, TCP/IP, UDP, UPnP, ICMP, IGMP, RTSP, RTP, SMTP, NTP, DHCP, DNS, PPPOE, DDNS, FTP, IP Filter,			
ONVIF	ONVIF Ver. 2.0			
Max. User Access	10 users			
Smart Phone	iPhone, iPad, Android, Windows Phone			
Auxiliary Interface				
Memory Slot	SD, Max 32GB			
RS485	1			
Alarm	1/1 channel In/Out			

DH-IPC-F665

General				
Power Supply	DC12V, PoE(802.3af)	DC12V	DC12V, PoE(802.3af)	DC12V
Power Consumption	<5W			
Working Environment	-10°C~+55°C, 10%~90%			
Dimensions(W×D×H)	69mm×139mm×58mm			
Weight	650g			

Dimensions (mm)



Dahua Technology Co., Ltd.

1187 BinAn Road, Binjiang District, Hangzhou, China

Tel: +86-571-87688883

Fax: +86-571-87688815

Email: overseas@dahuatech.com

www.dahuatech.com

*Design and specifications are subject to change without notice.

© 2012 Dahua Technology Co., Ltd.