

## DH-SD6582C-HS

2Megapixel Full HD HD-SDI PTZ Dome Camera



DH-SD6582C-HS (Outdoor)



DH-SD65C82C-HS (Indoor in-ceiling)

### Features

- 1/3" 2Megapixel progressive scan Exmor CMOS
- 4.3mm ~ 129mm(30x)optical zoom
- Standard HD-SDI high definition digital interface ( SMPT274/292)
- 25/30fps@1080P, 25/30/50/60fps@720P
- DWDR, Day/Night(ICR), DNR (2D&3D),Auto iris, Auto focus, AWB, AGC,BLC
- Max 400°/s pan speed, 360° endless pan rotation
- Up to 255 presets, 5 auto scan, 8 tour, 5 pattern
- Built-in 7/2 alarm in/out
- Support intelligent 3D positioning with DH-SD protocol
- IP67, easy installation (Outdoor Series )

# DH-SD6582C-HS

## Technical Specifications

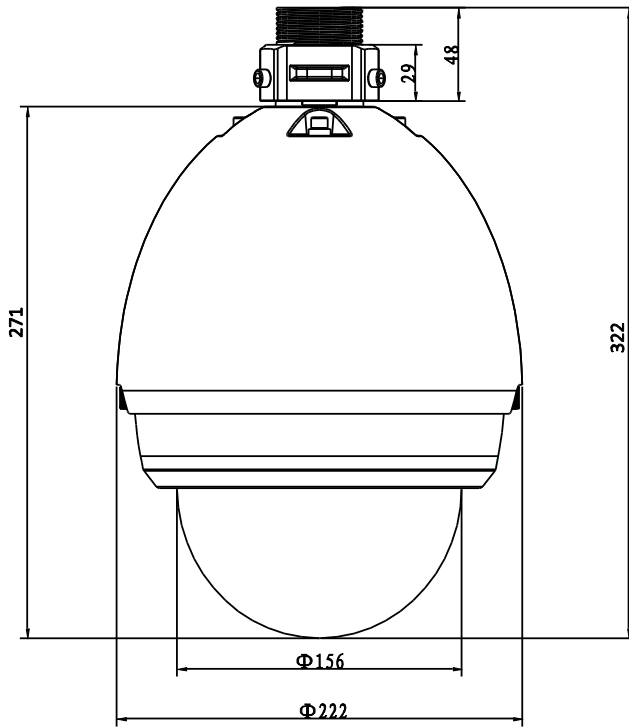
<b>Model</b>	<b>DH-SD6582C-HS</b> <b>DH-SD65C82C-HS</b>
<b>Camera</b>	
Image Sensor	1/3" Exmor CMOS
Effective Pixels	1944(H) x 1092(V), 2 Megapixels
Scanning System	Progressive
Electronic Shutter Speed	1/1 ~ 1/30,000s
Min. Illumination	Color: 0.05Lux@F1.6, B/W: 0.005Lux@F1.6
S/N Ratio	More than 50dB
Video Output	BNC(1.0Vp-p/75Ω), PAL / NTSC
Resolution	1080p(25/30fps), 720p(25/30/50/60fps)
HD-SDI Video Output	1ch HD-SDI high -definition video (SMPTE 292M standard)
<b>Camera Features</b>	
Day/Night	Auto(ICR) / Color / B/W
Backlight Compensation	BLC / HLC / DWDR (Digital WDR)
White Balance	Auto, ATW, Indoor, Outdoor, Manual
Gain Control	Auto / Manual
Noise Reduction	2D / 3D
Privacy Masking	Up to 24 areas
Digital Zoom	16x
Defog	On / Off
<b>Lens</b>	
Focal Length	4.3mm ~ 129mm (30x Optical zoom)
Max Aperture	F1.6 ~ F5.0
Focus Control	Auto / Manual
Angle of View	H: 65.1° ~ 2.34°
Close Focus Distance	10mm ~ 1200mm
<b>PTZ</b>	
Pan/Tilt Range	Pan: 0° ~ 360° endless; Tilt: -2° ~ 90°, auto flip 180°
Manual Control Speed	Pan: 0.1° ~ 300°/s; Tilt: 0.1° ~ 250°/s
Preset Speed	Pan: 400°/s; Tilt: 300°/s
Preset	80(DH-SD), 255(Pelco-P/D)
PTZ Mode	5 Pattern, 8 Tour, Auto Pan, Auto Scan
Speed Setup	Human-oriented focal length/ speed adaptation
Power up Action	Auto restore to previous PTZ and lens status after power failure
Idle Motion	Activate Preset/Pan/Scan/Tour/Pattern if there is no command in the specified period
Time Task	Auto activation of Preset/Pan/Scan/Tour/Pattern by preset-time
Protocol	DH-SD, Pelco-P/D (Auto recognition)
<b>Auxiliary Interface</b>	
RS485	1 port

## DH-SD6582C-HS

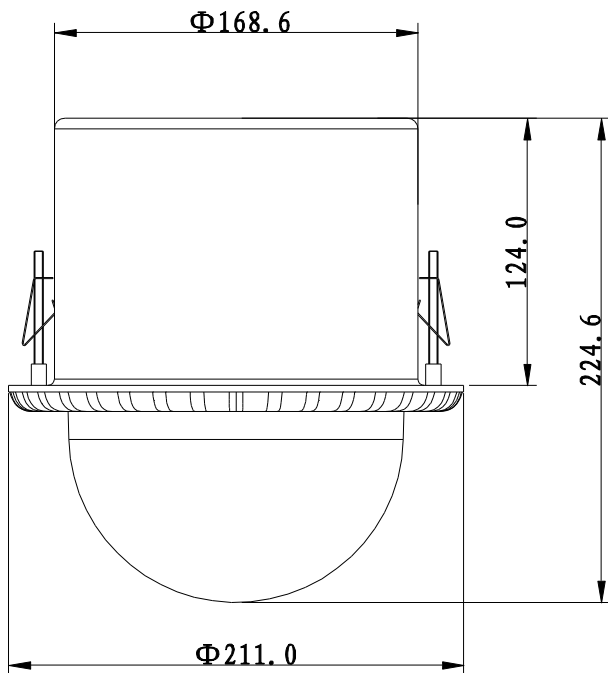
Alarm	7/2 channel In/Out
<b>General</b>	
Power Supply	AC 24V/3A (±10%) (Outdoor) AC 24V/2.2A (±10%) (Indoor in-ceiling)
Power Consumption	12W, 40W(Heater on) (Outdoor) 15W, 40W(Heater on) (Indoor in-ceiling)
Working Environment	-40°C ~ 60°C / Less than 90% RH
Ingress Protection	IP67 (Outdoor)
Vandal Resistance	IK10 (optional)
Dimensions	Φ222(mm) x 322(mm) (Outdoor) Φ211(mm) x 224.6(mm) (Indoor in-ceiling)
Weight	5.0kg

# DH-SD6582C-HS

## Dimensions (mm)



**DH-SD6582C-HS (Outdoor)**



**DH-SD65C82C-HS (Indoor in-ceiling)**

## DH-SD6582C-HS

### Accessories (only for Outdoor series)

		
DH-69FB	DH-PFA111	Power Supply

### Accessories (Optional only for Outdoor series)

			
DH-PFB300C	DH-PFB301C	DH-PFA112	DH-PFA113
			
DH-PFB301S	DH-PFA120	DH-PFA150	DH-PFA151

### Dahua Technology Co., Ltd.

1187 BinAn Road, Binjiang District, Hangzhou, China

Tel: +86-571-87688883

Fax: +86-571-87688815

Email: [overseas@dahuatech.com](mailto:overseas@dahuatech.com)

[www.dahuatech.com](http://www.dahuatech.com)

\*Design and specifications are subject to change without notice.

© 2013 Dahua Technology Co., Ltd.