

DH-SD40/42/42C23-H

23x Mini PTZ Dome Camera



SD4023-H



SD4223-H



SD42C23-H

Features

- Powerful 23x optical zoom
- High resolution@650TVL
- DWDR, Day/Night (ICR), DNR (2D&3D), Auto iris, Auto focus, AWB, AGC, BLC
- Max 300°/s pan speed, 360° continuous pan rotation
- Up to 255 presets, 5 auto scan, 8 tour, 5 pattern
- Built-in 2/1 alarm in/out
- Support intelligent 3D positioning with DH-SD protocol
- IP66,IK10

DH-SD40/42/42C23-H

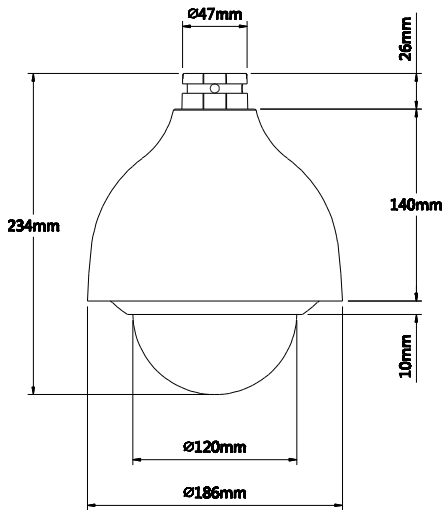
Technical Specifications:

Model	DH-SD4023-H	DH-SD4223-H	DH-SD42C23-H
Camera			
Image Sensor	1/4" EXview HAD CCD II		
Effective Pixels	976(H) × 582(V) / 976(H) × 494(V)		
Horizontal Resolution	Color: 650TVL; B/W: 700TVL		
Scanning System	Interlacing		
Electronic Shutter Speed	1/1s ~1/100,000s		
Min. Illumination	Color: 0.01 Lux/F1.6, B/W: 0.001Lux/F1.6		
S/N Ratio	More than 50dB		
Video Output	BNC(1.0Vp-p/75Ω), PAL / NTSC		
Camera Features			
Day/Night	Auto(ICR) / Color / B/W		
Backlight Compensation	BLC / HLC / DWDR (Digital WDR)		
White Balance	Auto, ATW, Indoor, Outdoor, Manual		
Gain Control	Auto / Manual		
Noise Reduction	2D / 3D		
Privacy Masking	Up to 24 areas		
Digital Zoom	16x		
Lens			
Focal Length	3.9 mm~89.7mm (23x Optical zoom)		
Max Aperture	F1.6~ F3.7		
Focus Control	Auto / Manual		
Angle of View	H: 61.68° ~ 3.06°		
Close Focus Distance	100mm~1000mm		
PTZ			
Pan/Tilt Range	Pan: 0° ~ 360° endless; Tilt: 0° ~ 90°, auto flip 180°		
Manual Control Speed	Pan: 0.1° ~ 250°/s; Tilt: 0.1° ~150°/s		
Preset Speed	Pan: 300°/s; Tilt:200°/s		
Preset	80(DH-SD) , 255(Pelco-P/D)		
PTZ Mode	5 Pattern, 8 Tour, 5 Auto Scan, Auto Pan		
Speed Setup	Human-oriented focal length/ speed adaptation		
Power up Action	Auto restore to previous PTZ and lens status after power failure		
Idle Motion	Activate Preset/Pan/Scan/Tour/Pattern if there is no command in the specified period		
Protocol	DH-SD, Pelco-P/D (Auto recognition)		
Auxiliary Interface			
RS485	1 port		
Alarm	2/1 channel In/Out		

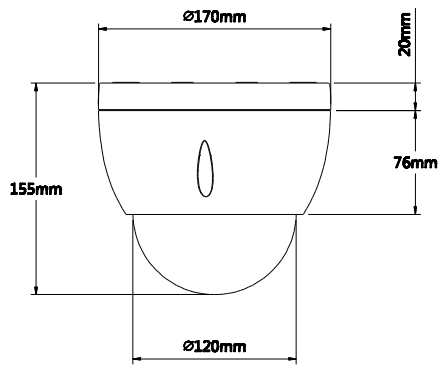
DH-SD40/42/42C23-H

General			
Power Supply	AC24V/1.5A (±10%), DC12V optional		
Power Consumption	12W, 27W(Heater on)	12W	
Working Environment	-40°C ~ 60°C / Less than 90% RH	-20°C ~ 60°C / Less than 90% RH	
Ingress Protection	IP66	N/A	
Vandal Resistance	IK10		
Dimensions	Φ186mm×234mm	Φ170mm×155mm	Φ198mm×158mm
Weight	2Kg	1.5Kg	2Kg

Dimensions (mm)

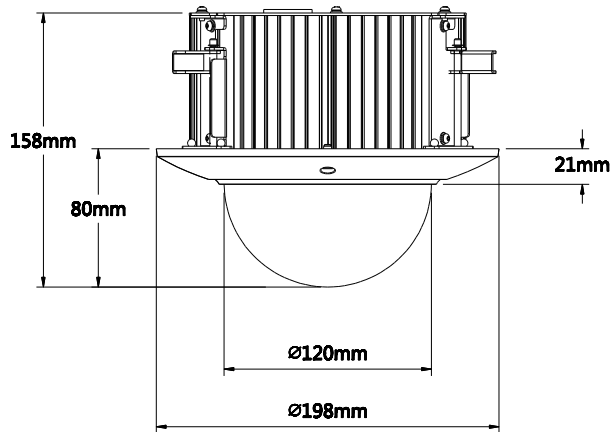


SD4023-H



SD4223-H

DH-SD40/42/42C23-H



SD42C23-H

Accessories

SD4023-H

<p>DH-PFB300S</p>	<p>DH-PFA110</p>	<p>Power Supply</p>

Accessories (Optional)


SD4023-H





<p>DH-PFB300C</p>	<p>DH-PFA112</p>	<p>DH-PFA113</p>

DH-SD40/42/42C23-H

		
DH- PFA120	DH-PFA150	DH-PFA151

SD4223-H

			
DH-PFA102	DH-PFB300S	DH-PFB300C	DH-PFA112

			
DH-PFA113	DH- PFA120	DH-PFA150	DH-PFA151

Dahua Technology Co., Ltd.

1187 BinAn Road, Binjiang District, Hangzhou, China

Tel: +86-571-87688883

Fax: +86-571-87688815

Email: overseas@dahuatech.com

www.dahuatech.com

*Design and specifications are subject to change without notice.

© 2013 Dahua Technology Co., Ltd.