

DH-SD3282D-GN

2Mp Full HD 3x Network PTZ Dome Camera

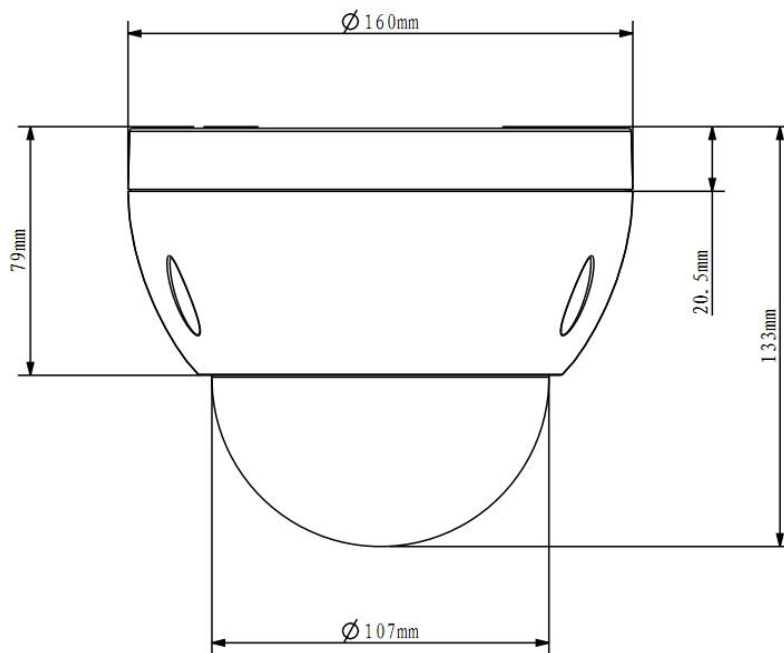


Features

- 3.0mm ~ 9.0mm(3x)optical zoom
- H.264 & MJPEG dual-stream encoding
- Max 25/30fps@1080p resolution
- WDR(DWDR), Day/Night(ICR), DNR (2D&3D),Auto iris, Auto focus, AWB, AGC,BLC
- Multiple network monitoring: Web viewer, CMS(DSS/PSS) & DMSS
- Max 80 °/s P&T speed, 0° ~355°pan rotation
- Up to 255 presets, 5 auto scan, 8 tour, 5 pattern
- Built-in 2/1 alarm in/out
- Support intelligent 3D positioning with DH-SD protocol
- Micro SD memory, IP66, IK10, PoE

DH-SD3282D-GN

Dimensions (mm)



DH-SD3282D-GN

Technical Specifications

Model	DH-SD3282D-GN	
Camera		
Image Sensor	1/3" Exmor CMOS	
Effective Pixels	1944(H) x 1092(V), 2 Megapixels	
Scanning System	Progressive	
Electronic Shutter Speed	1/1 - 1/30,000s	
Min. Illumination	Color: 0.05 lux@F1.2, B/W: 0.0005 lux@F1.2	
S/N Ratio	More than 50dB	
Camera Features		
Day/Night	Auto(ICR) / Color / B/W	
Backlight Compensation	BLC / HLC / DWDR	
White Balance	Auto, ATW, Indoor, Outdoor, Manual	
Gain Control	Auto / Manual	
Noise Reduction	2D / 3D	
Privacy Masking	Up to 24 areas	
Digital Zoom	16x	
Lens		
Focal Length	3.0mm ~ 9.0mm(3x Optical zoom)	
Max Aperture	F1.2 ~ F2.1	
Focus Control	Auto / Manual	
Angle of View	H: 93° ~ 31.7°	
Close Focus Distance	30mm	
PTZ		
Pan/Tilt Range	Pan: 0° ~ 355°; Tilt: -2° ~ 90°, auto flip 180°	
Manual Control Speed	Pan: 0.1° ~ 80°/s; Tilt: 0.1° ~ 80°/s	
Preset Speed	Pan: 80°/s; Tilt: 80°/s	
Preset	80(DH-SD), 255(Pelco-P/D)	
PTZ Mode	5 Pattern, 8 Tour, 5 Auto Scan, Auto Pan	
Speed Setup	Human-oriented focal length/ speed adaptation	
Power up Action	Auto restore to previous PTZ and lens status after power failure	
Idle Motion	Activate Preset/Pan/Scan/Tour/Pattern if there is no command in the specified period	
Time Task	Auto activation of Preset/Pan/Scan/Tour/Pattern by preset-time	
Protocol	DH-SD, Pelco-P/D (Auto recognition)	
Video		
Compression	H.264 / MJPEG	
Resolution	1080P(1920×1080) / 720P(1280×720) / D1(704×576/704×480) / CIF(352×288/352×240)	
Frame Rate	Main Stream	1080P/720P(1 ~ 25/30fps)
	Sub Stream	D1/CIF(1 ~ 25/30fps)
Bit Rate	H.264: 56K ~ 8192Kbps, MJPEG: 56K ~ 20480Kbps	

DH-SD3282D-GN

Audio	
Compression	G.711a / G.711u (32kbps) / PCM (128kbps)
Interface	1/1 channel In/Out
Network	
Ethernet	RJ-45 (10/100Base-T)
Protocol	IPv4/IPv6, HTTP, HTTPS, SSL, TCP/IP, UDP, UPnP, ICMP, IGMP, SNMP, RTSP, RTP, SMTP, NTP, DHCP, DNS, PPPOE, DDNS, FTP, IP Filter, QoS, Bonjour
ONVIF	ONVIF Ver. 2.0 conformance
Max. User Access	20 users
Smart Phone	iPhone, iPad, Android, Windows Phone
Auxiliary Interface	
Memory Slot	Micro SD, Max 32GB
RS485	1
Alarm	2/1 channel In/Out
General	
Power Supply	DC12V, PoE(802.3af), AC24V optional
Power Consumption	15W
Working Environment	-10°C ~ 55°C / Less than 90% RH
Protection Level	IP66, IK10
Dimensions	Φ160(mm) x 132(mm)
Weight	1.33kg

Dahua Technology Co., Ltd.

1187 BinAn Road, Binjiang District, Hangzhou, China

Tel: +86-571-87688883

Fax: +86-571-87688815

Email:overseas@dahuatech.com

www.dahuatech.com

*Design and specifications are subject to change without notice.

© 2012 Dahua Technology Co., Ltd.