

DH-PFH610N

Housing



Features

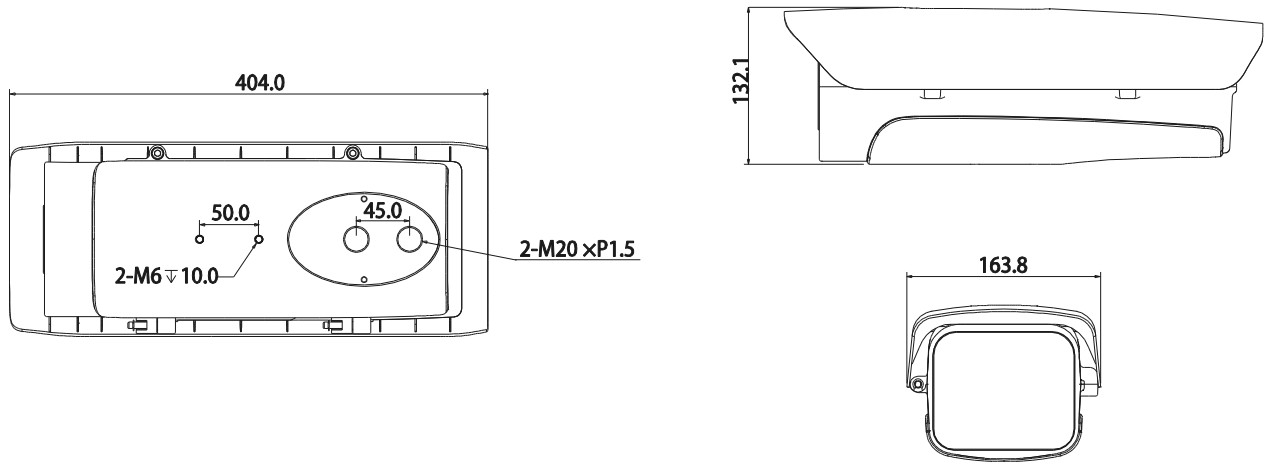
- IP66, Housing
- Water-proof coating film
- Neat & Integrated design

Specifications

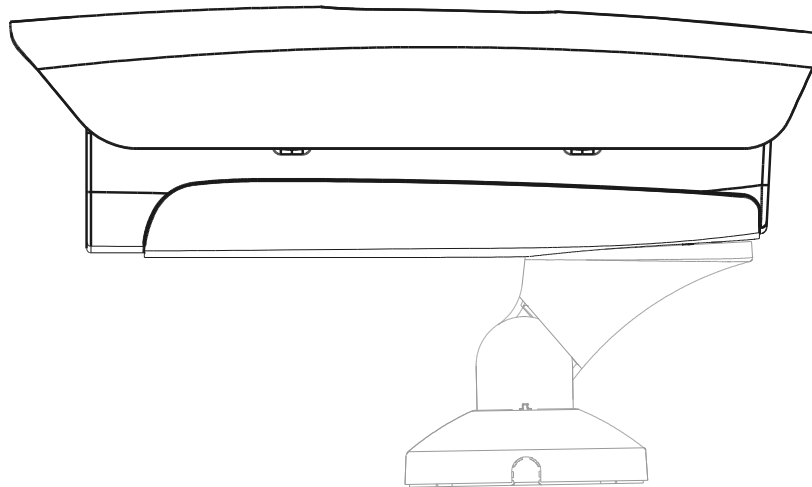
Model		DH-PFH610N
General		
Material		Aluminum(case) & PC(others)
Product Dimension		404mm(L) x 164mm(W) x 132mm(H)
Inside Dimension		220mm(L) x 86mm(W) x 90(W)
Window Dimension		100(L) x 80(W)
Operating Temperature	Set	-30°C ~60°C
	Heater	N/A
	Cooler	N/A
Ingress Protection		IP66
Humidity		≤90% RH
IR Distance		N/A
Wiper		N/A
Weight		2.5kg
Power Supply		AC24V
Applicable Model		IPC-HF, HDC-HF, CA-F, SDZ

DH-PFH610N

Dimensions (mm)



Application



Dahua Technology Co., Ltd.

1187 BinAn Road, Binjiang District, Hangzhou, China

Tel: +86-571-87688883

Fax: +86-571-87688815

Email: overseas@dahuatech.com

www.dahuasecurity.com

*Design and specifications are subject to change without notice.

© 2013 Dahua Technology Co., Ltd.