

DH-NVR724-256/724D-256/724R-256/724DR-256

256 Channel Super Network Video Recorder



Features

- Max 256 channel IP cameras connection
- Max 512Mbps incoming bandwidth
- Up to 128ch@1080P, 256ch@720P realtime recording
- 2 HDMI / 1 HDMI +1 VGA (Optional: 6 HDMI sync output / 1 VGA+5 HDMI sync output)
- Support 24 hot-swap HDDs
- Support RAID 0/1/5/6/10/50/60
- Support N+M hot standby
- Support iSCSI & Mini SAS to expand storage space
- Human-oriented Dahua UI
- Compatible with Dahua SDK and seamless integrated to other platforms
- Support Multi-brand network cameras: Dahua, Arecont Vision, AXIS, Bosch, Brickcom, Canon, CP Plus, Dynacolor, Honeywell, Panasonic, Pelco, Samsung, Sanyo, Sony, Videosec, Vivotek and etc.
- ONVIF Version 2.2 conformance
- Redundant power supply module adopted (DH-NVR724R-256 & DH-NVR724DR-256)
- Front LCD display (DH-NVR724D-256 & DH-NVR724DR-256)

DH-NVR724-256/724D-256/724R-256/724DR-256

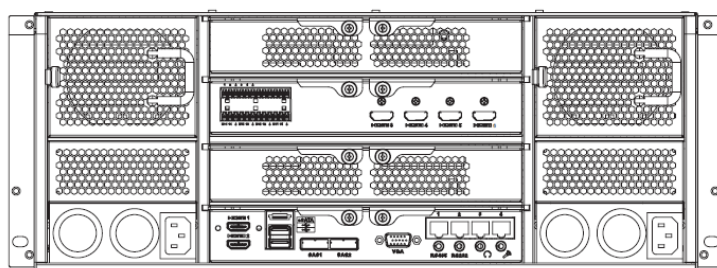
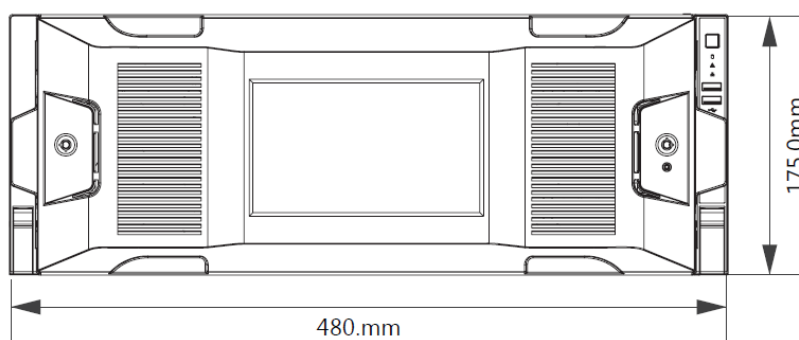
Technical Specifications

Model	DH-NVR724-256	DH-NVR724 D-256	DH-NVR724 R-256	DH-NVR724D R-256
System				
Main Processor	Intel® Core™ i7 Processors			
Operating System	LINUX			
Motherboard	Embedded Board (Support 7x24 operation)			
Memory	8GB DDR3 (up to 16GB)			
Case	Hot-dipped galvanized sheet steel(1.2mm thickened), High-precise aluminum alloy slide, Patented pull-out rack design			
Fan	Dual ball screw bearing fan, MTBF>100,000h, support replacement during operation			
Interface	Local GUI &WEB GUI			
Video & Audio				
Input	128ch@1080P/256ch@720P			
Transmission	128ch@1080P/256ch@720P			
Recording	128ch@1080P/256ch@720P			
Preview	20ch@1080P/40ch@720P/68ch@D1 (Screen 1~2 , default) +16ch@1080P/16ch@720P/16ch@D1(Screen 3~6) (Optional)			
Playback	16ch@1080P/16ch@720P/16ch@D1 (128Mbps in Raid 5 mode) 8ch@1080P/16ch@720P/16ch@D1 (64Mbps in single HDD mode)			
Recording Resolution	8Mp, 5Mp, 3Mp, 1080P, 720P, 960H, D1, CIF, QCIF, VGA			
Audio	1ch Mic in, 1ch Mic out			
Recording				
Recording Mode	Manual, Schedule(Regular(Continuous), MD(Video detection: Motion detection, Camera blank, Video loss), Alarm), Stop			
Alarm Recording	Video loss, Camera blank, Motion detection, External alarm			
Backup Mode	Network download / USB HDD/USB CD&DVD-RW / eSATA Device			
Display				
Interface	2 HDMI +1 VGA (Optional : 6 HDMI , 1 VGA)			
Video Output	2 HDMI/1 HDMI+1 VGA (Optional: 6 HDMI sync output / 1 VGA+5 HDMI sync output)			
Multi-screen Display	The 1 st screen: 1/4/8/9/16/25/36/64 The 2 nd -6 th screens: 4 (optional)			
Privacy Masking	4 customized zones for privacy masking for each area			
Storage				
Internal HDD	24 SATA ports, up to 96TB			
HDD Mode	Single, Raid 0, Raid 1,Raid 5,Raid 6,Raid 10,Raid 50,Raid 60 (Support global HDD Hot-standby)			
HDD Installation	Independent HDD rack, support hot swap			
Network				
Interface	4 RJ-45 ports (10/100/1000Mbps)			

DH-NVR724-256/724D-256/724R-256/724DR-256

Ethernet Port	4 Ethernet ports joint working or 4 independent 1000Mbps Ethernet ports	
MD & Alarm		
Motion Detection	Zones: 396(22×18), Sensitivity: 1~6 (level 6 is highest)	
Alarm Input	4ch, low level effective, green terminal interface	
Relay Output	4ch, Relay contact (1A@24VDC), NO/NC programmable, green terminal interface	
Auxiliary Interface		
Front cover	Support hot swap, 7" inch HD LCD (1920x1080/1280x1024/1024x768) (Model -D&DR)	
USB	4 USB ports (2 USB2.0 on front-panel, 2 USB3.0 on rear panel)	
eSATA	1 eSATA port	
SAS	2 Mini SAS ports	
General		
Power Supply	AC 100V~240V, 47~63Hz	AC 100V~240V,47~63Hz , Redundant
Power Consumption	200W~400W (With HDD)	
Working Environment	0°C~40°C	
Working Humidity	10%~80% (non-condensation)	
Dimension(W×D×H)	4U, 480mm×494mm×175mm	
Weight	29kg (without HDD)	
Installation	Rack-mounted	

Dimensions:



DH-NVR724-256/724D-256/724R-256/724DR-256

1199 BinAn Road, Binjiang District, Hangzhou, China

Tel: +86-571-87688883

Fax: +86-571-87688815

Email: overseas@dahuatech.com

www.dahuatech.com

*Design and specifications are subject to change without notice.

© 2014 Dahua Technology Co., Ltd.