

ITS Special 3Mega HD Intelligent Camera



Features

- > TI DaVinci high-performance DSP
- > Adopt 1/1.8" high performance CCD image sensor, high color reducibility, high sensitivity
- > Adopt H.264 standard HD Video Format and 25fps HD Video Frame Rate
- > Embedded integration component design, built-in a variety of algorithms, such as License Plate Recognition, Color Recognition, velocity measurement by video and so on
- > Adopt high performance Image Signal Processing (ISP)
- > A variety of signals, data and communication interface
- > Precise synchronization signal input and output control

Specifications

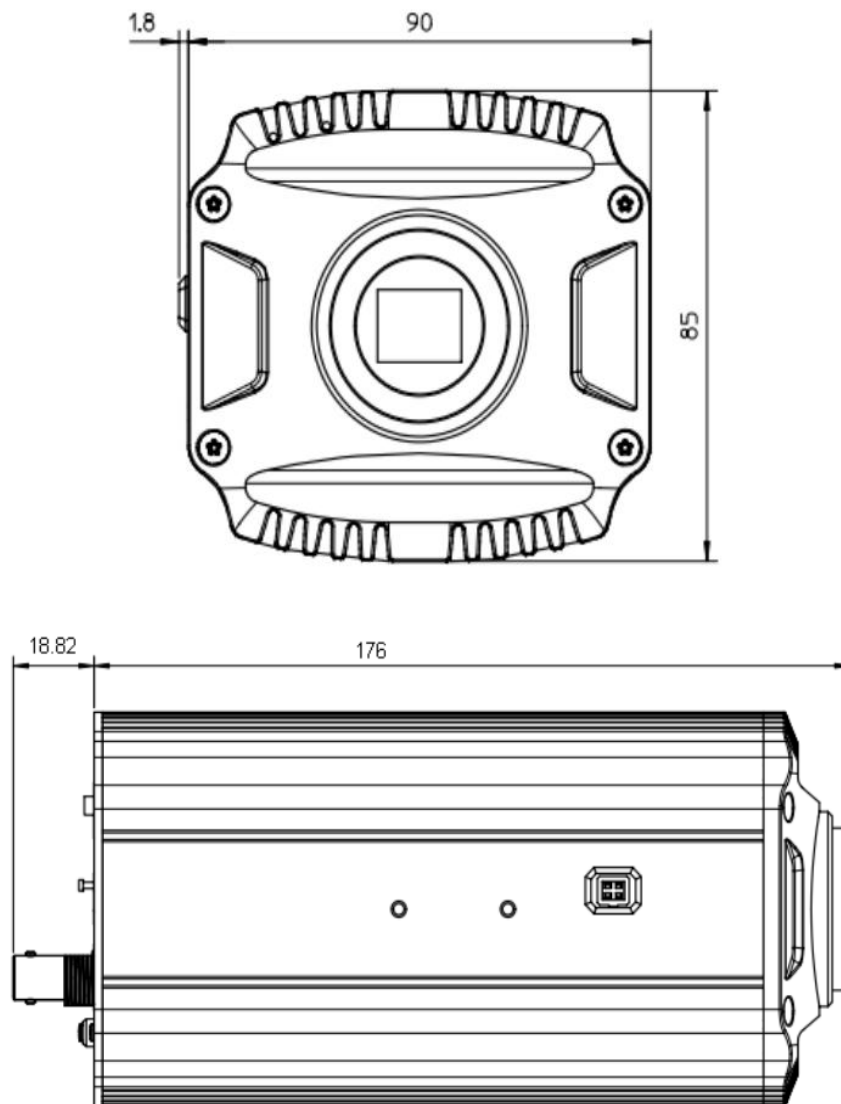
Model		DH-ITC523-GVRB3A
General	Resolution	3 Megara, 2408(H)*1536(V)
	Image Sensor	1/1.8" progressive CCD
	Image Compress Mode	JPEG
	HD Video Format	H.264 standard, main profile 5.0
	HD Image Resolution	2048*1600
	HD Video Resolution	2048*1536
	HD Video Frame Rate	1~25fps adjustable
	Camera Speed Shutter	1/25~1/100000
Interface	Loop I/O input	6 loop, optocoupler input (switch)
	Alarm Input	1 loop, optocoupler input (switch)
	Alarm Output	1 loop, relay output
	Wiper controller	1 loop, relay output

DH-ITC302-GVRB3A

	output	
	External frequency source synchronous input	1 loop
	LED Light Synchronization Interface	1 loop, Frequency can be set
	Flash Lamp Synchronization Interface	5 loop, Optocoupler signal output
	Video signal interface	1 CVBS/HD-SDI port(support Special features version)
	Network interface	One 110/100M Ethernet port
	Data interface	1 RS232 serial port,3 Radar serial(RS232),serial port, 1 Vehicle inspection / signal detector port(RS485)
	Auto Iris	Support(DC Auto)
	Lens Interface	C
Special Function	SD Card Storage	Support
	Remote Control Function	Support, through Web client config and control
	OSD information superimposed	Support, Information of the picture include time and place (channel address), Lane information (number./direction), plate information(license plate and color), vehicle information (speed, vehicle length, body color and the type of vehicle), Illegal (illegal event name and the illegal code) and so on
	Image Records Tamper-resistance	Support, Video/Image with watermark tech and check function
Environmental	Power Supply	AC24V
	External Power Synchronization Function	Support, Sync phase support fine-tuning
	External Frequency Synchronization Function	Support, Sync phase support fine-tuning
	Average Power Consumption	<15W (without Adapter)
	Operating Environment	Temperature-30°C~+70°C, humidity10%~90%
	Dimension	176mm×90mm×85mm(W×D×H)
	Weight	1.3 Kg

DH-ITC302-GVRB3A

Dimensions (mm)



Dahua Technology Co., Ltd.

1199BinAn Road, Binjiang District, Hangzhou, China

Tel: +86-571-87688883

Fax: +86-571-87688815

Email: overseas@dahuatech.com

www.dahuatech.com