

## DH-IPC-HF5220E

### 2MP Full HD Network Camera



### Features

- 1/2.8" 2Megapixel progressive scan CMOS
- Support H.264&MJPEG dual codec
- 25/30fps@1080P(1920×1080)
- Smart Detection supported
- DWDR, Day/Night(ICR), 3DNR,AWB,AGC,BLC
- Multiple network monitoring: Web viewer, CMS(DSS/PSS) & DMSS
- 2/1 Alarm in/out, 1/1 audio in/out(Built-in Mic)
- Auto back focus(ABF)
- Micro SD memory, PoE

# DH-IPC-HF5220E

## Technical Specifications

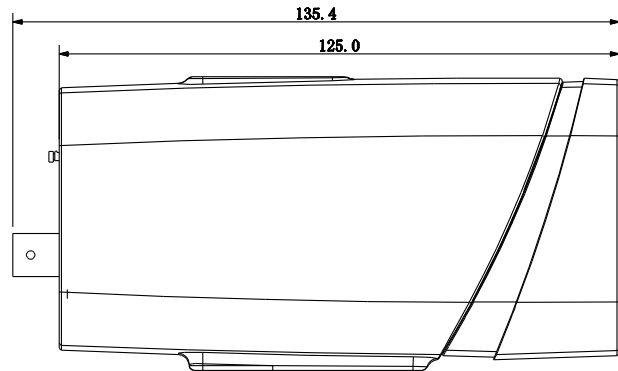
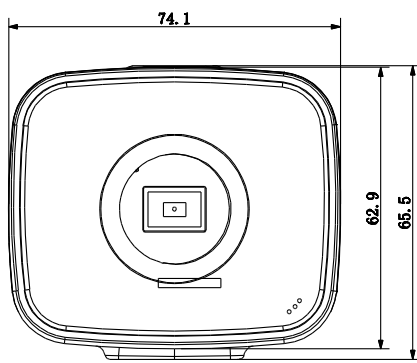
<b>Model</b>	<b>DH-IPC-HF5220E</b>	
<b>Camera</b>		
Image Sensor	1/2.8" 2Megapixel progressive scan CMOS	
Effective Pixels	1920(H)x1080(V)	
Scanning System	Progressive	
Electronic Shutter Speed	Auto/Manual, 1/3(4)~1/100000s	
Min. Illumination	0. 01Lux/F1.2(Color), 0.001Lux/F1.2(B/W)	
S/N Ratio	More than 50dB	
Video Output	1 channel BNC (1.0Vp-p, 75Ω)	
<b>Camera Features</b>		
Max. IR LEDs Length	N/A	
Day/Night	Auto(ICR)/Color/B/W	
Backlight Compensation	BLC / HLC / DWDR	
White Balance	Auto/Sunny/Night/Outdoor/Customized	
Gain Control	Auto/Manual	
Noise Reduction	3D	
Privacy Masking	Up to 4 areas	
Ultra Defog	Support	
Smart focus	ABF	
<b>Lens</b>		
Mount Type	C/CS	
<b>Video</b>		
Compression	H.264/H.264B/H.264H/MJPEG	
Resolution	1080P(1920×1080)/720P(1280×720)/D1(704×576)/CIF(352×288)	
Frame Rate	Main Stream	1080P/720P(1 ~ 25/30fps)
	Sub Stream	D1/CIF(1 ~ 25/30fps)
	Third Stream	720P(1-13/4fps)
Bit Rate	H.264: 32Kbps ~ 10Mbps	
ROI	Up to 4 areas	
<b>Audio</b>		
Compression	G.711a / G.711u/AAC	
Interface	1/1 channel In/Out(Built-in Mic)	
<b>Smart Function</b>		
Smart detection	Tripwire	
	Intrusion	
	Abandoned/Missing	
	Scene Change	
	Audio detect	
	Face detect	
<b>Network</b>		

## DH-IPC-HF5220E

Ethernet	RJ-45 (10/100Base-T)
Wi-Fi	N/A
Protocol	IPv4/IPv6, HTTP, HTTPS, SSL, TCP/IP, UDP, UPnP, ICMP, IGMP, SNMP, RTSP, RTP, SMTP, NTP, DHCP, DNS, PPPOE, DDNS, FTP, IP Filter, QoS, Bonjour,802.1x
Compatibility	ONVIF ,PSIA,CGI
Max. User Access	20 users
Smart Phone	iPhone, iPad, Android, Windows Phone
<b>Auxiliary Interface</b>	
Memory Slot	Micro SD, Max 64GB
RS485	1
Alarm	2/1 channel In/Out
<b>General</b>	
Power Supply	DC12V/AC24V, PoE (802.3af)
Power Consumption	Max 10W (ABF&ICR on)
Working Environment	-30°C~+60°C, Less than 95% RH
Ingress Protection	N/A
Dimensions	74.1mm×65.5mm×135.4mm
Weight	0.3Kg

# DH-IPC-HF5220E

## Dimensions (mm)



## Accessory (optional)

PFB121W	PFB110W
	

### Dahua Technology Co., Ltd.

1199 BinAn Road, Binjiang District, Hangzhou, China

Tel: +86-571-87688883

Fax: +86-571-87688815

Email:overseas@dahuatech.com

www.dahuatech.com

\*Design and specifications are subject to change without notice.

© 2014 Dahua Technology Co., Ltd.