

## DH-IPC-HDBW5100

---

1.3Megapixel Full HD Water-Proof & Vandal-Proof IR Network Dome  
Camera



### Features

- 1/3" 1.3Megapixel progressive scan Aptina CMOS
- H.264 & MJPEG dual-stream encoding
- Max 25/30fps@1.3M(1280×960)
- DWDR, Day/Night(ICR), 3DNR, Auto iris, AWB, AGC, BLC
- Multiple network monitoring: Web viewer, CMS(DSS/PSS) & DMSS
- 2.7~9mm varifocal lens
- Built-in 1/1 alarm in/out
- Max. IR LEDs Length 20m
- Micro SD memory, IP66, IK10, PoE

# DH-IPC-HDBW5100

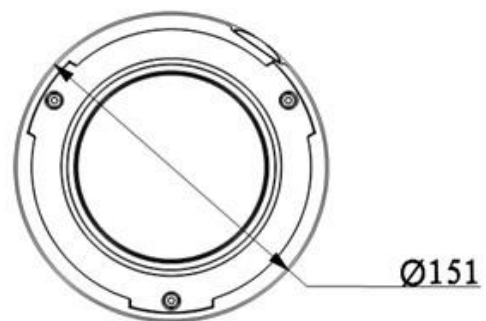
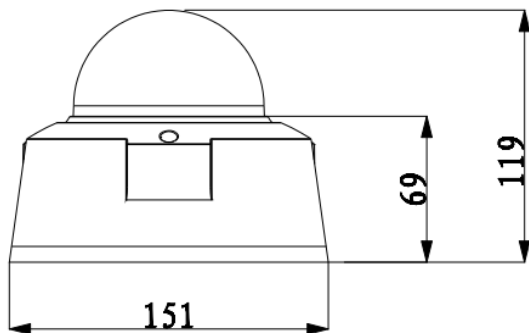
## Technical Specifications

<b>Model</b>	<b>DH-IPC-HDBW5100</b>	
<b>Camera</b>		
Image Sensor	1/3" 1.3Megapixel progressive scan CMOS	
Effective Pixels	1280(H)x960(V)	
Scanning System	Progressive	
Electronic Shutter Speed	Auto/Manual 1/3(4)~1/10000	
Min. Illumination	0.01lux/F1.4(color), 0Lux/F1.4(IR on)	
S/N Ratio	More than 50db	
Video Output	1 Port	
<b>Camera Features</b>		
Max. IR LEDs Length	20m	
Day/Night	Auto(ICR)/Color/B/W	
Backlight Compensation	Off/BLC/HLC/DWDR	
White Balance	Auto/Manual	
Gain Control	Auto/Manual	
Noise Reduction	3D	
Privacy Masking	Up to 4 areas	
<b>Lens</b>		
Focal Length	2.7~9mm	
Max Aperture	F1.2	
Focus Control	Manual	
Angle of View	H: 101°(Wide)~30.4°(Tele)	
Lens Type	Manual/Auto Iris (DC)	
Mount Type	Board-in Type	
<b>Video</b>		
Compression	H.264/ MJPEG	
Resolution	1.3M(1280×960)/720P(1280×720)/ D1(704×576/704×480)	
Frame Rate	Main Stream	1.3M/720P (1 ~ 25/30fps)
	Sub Stream	D1(1 ~ 25/30fps)
Bit Rate	H.264: 16K ~ 8192Kbps	
<b>Audio</b>		
Compression	G.711a/ G.711u/ PCM	
Interface	1/1 channel In/Out	
<b>Network</b>		
Ethernet	RJ-45 (10/100Base-T)	
Wi-Fi	N/A	
Protocol	IPv4/IPv6, HTTP, HTTPS, SSL, TCP/IP, UDP, UPnP, ICMP, IGMP, SNMP, RTSP, RTP, SMTP, NTP, DHCP, DNS, PPPOE, DDNS, FTP, IP Filter, QoS, Bonjour	
ONVIF	ONVIF Profile S	
Max. User Access	20 users	
Smart Phone	iPhone, iPad, Android, Windows Phone	

## DH-IPC-HDBW5100

Auxiliary Interface	
Memory Slot	Micro SD, Max 64GB
RS485	N/A
Alarm	1/1 channel In/Out
PIR Sensor Range	N/A
General	
Power Supply	AC24V/DC12V, PoE(802.3af)
Power Consumption	Max 5W
Working Environment	-20°C~+60°C, Less than 90% RH
Ingress Protection	IP66
Vandal Resistance	IK10
Dimensions	Φ151mm×119mm
Weight	1.25kg

### Dimensions (mm)



# DH-IPC-HDBW5100

## Accessories (optional)

				
PFA100	PFB300S	PFA120	PFA150	PFA151

---

**Dahua Technology Co., Ltd.**

1187 BinAn Road, Binjiang District, Hangzhou, China

Tel: +86-571-87688883

Fax: +86-571-87688815

Email: [overseas@dahuatech.com](mailto:overseas@dahuatech.com)

[www.dahuatechsecurity.com](http://www.dahuatechsecurity.com)

\*Design and specifications are subject to change without notice.

© 2013 Dahua Technology Co., Ltd.