

## DH-HAC-HDW1200EM

---

2Megapixel 1080P Water-proof IR HDCVI Dome Camera



### Features

- 1/2.7" 2Megapixel CMOS
- 25/30fps@1080P
- High speed, long distance real-time transmission
- Day/Night(ICR), AWB, AGC, BLC, 2DNR
- 3.6mm fixed lens (6mm optional)
- Max. IR LEDs length 50m, Smart IR
- IP67, DC12V

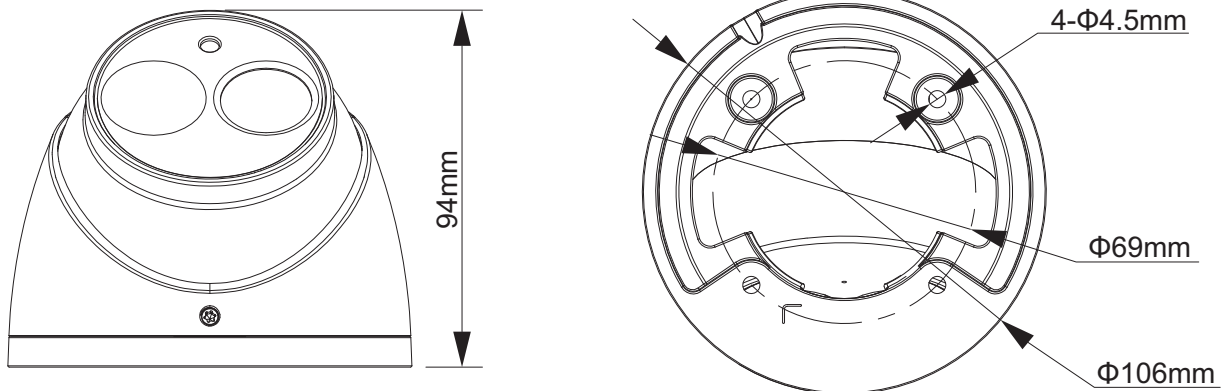
# DH-HAC-HDW1200EM

## Technical Specifications

Model	DH-HAC-HDW1200EMP	DH-HAC-HDW1200EMN
<b>Camera</b>		
Image Sensor	1/2.7" 2Megapixel CMOS	
Effective Pixels	1930(H)×1088(V)	
Electronic Shutter	1/50s~1/100,000s	1/60s~1/100,000s
Video Frame Rate	25fps@1080P	30fps@1080P
Synchronization	Internal	
Mini. Illumination	0.02Lux/F2.0, 0Lux IR on	
Video Output	1-channel BNC HDCVI high definition video output	
<b>Camera Features</b>		
Max. IR LEDs Length	50m, Smart IR	
Day/Night	Auto(ICR) / Color / B/W	
Noise Reduction	2D	
<b>Lens</b>		
Focal Length	3.6mm (6mm optional)	
Angle of View	H: 89.9° (59.4°)	
Mount Type	M12	
<b>General</b>		
Power Supply	DC12V±25%	
Power Consumption	Max 4.5W	
Working Environment	-30°C~+60°C / Less than 95%RH (no condensation)	
Transmission Distance	Over 500m via 75-3 coaxial cable	
Ingress Protection	IP67	
Dimensions(W×D×H)	Φ106mm×94mm	
Weight	0.45kg	
Material	Metal	

# DH-HAC-HDW1200EM

## Dimensions (mm)



## Accessories (optional)

		
PFB204W	PFA139	PFA152

---

### Dahua Technology Co., Ltd.

1199 BinAn Road, Binjiang District, Hangzhou, China

Tel: +86-571-87688883

Fax: +86-571-87688815

Email: [overseas@dahuatech.com](mailto:overseas@dahuatech.com)

[www.dahuatech.com](http://www.dahuatech.com)

\*Design and specifications are subject to change without notice.

© 2014 Dahua Technology Co., Ltd.