

## DH- EPXXX-VRB3B

All-in-one housing for red light enforcement system



### Features

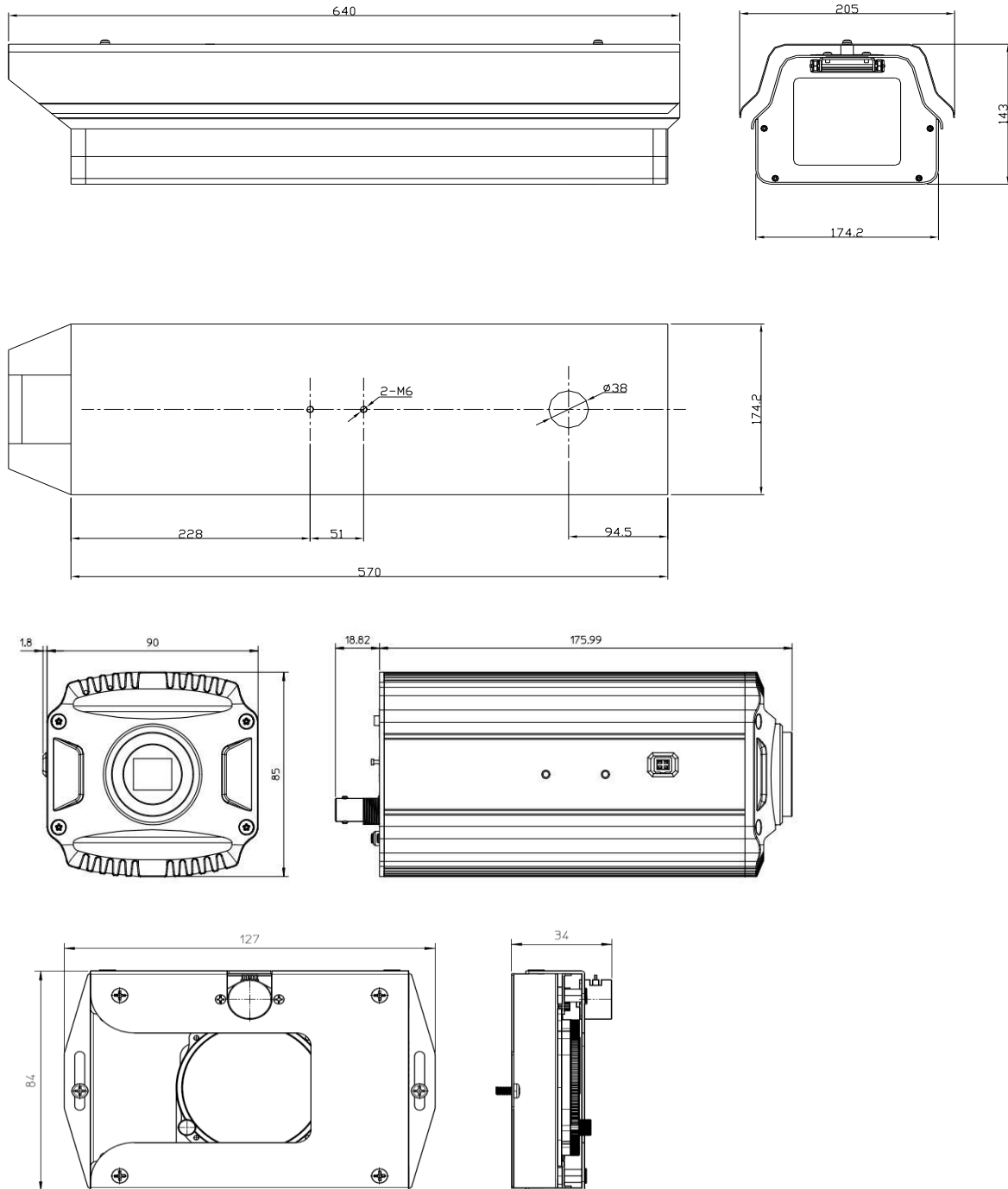
- Embedded within lightning protection devices for network , heating and air fan module , connectors, easy to install.
- 22 inch
- IP66

### Specifications

Model		DH-EPXXX-VRB3B
Lighting protection device	Interface	RJ45
	Voltage	3.3V
	Transmission speed	1000Mbps
	Response time	<5nS
	Dimension	90.0mm×66.0mm×18.0mm
	Voltage for protection	<500V
Housing	IP level	IP66
	Size	22 inch
	Function module	Heating and air fan module

# DH- EPXXX-VRB3B

## Dimensions



### Dahua Technology Co., Ltd.

1199BinAn Road, Binjiang District, Hangzhou, China

Tel: +86-571-87688883

Fax: +86-571-87688815

Email: [overseas@dahuatech.com](mailto:overseas@dahuatech.com)

[www.dahuatech.com](http://www.dahuatech.com)