

DH-DVR0404/0804/1604HF-AL-E

4/8/16 Channel Effio 960H 2HDD 1.5U Standalone DVR



Features

- > Up to 4/8/16 Effio cameras with 1080p realtime preview
- > H.264 dual-stream video compression
- > Full channel@960H(960×576/960×480) realtime recording
- > HDMI / VGA / TV / Spot simultaneous video output
- > All channel synchronous realtime playback, GRID interface & smart search
- > 3D intelligent positioning with Dahua PTZ dome camera
- > Support 2 SATA HDDs up to 8TB, 2 USB2.0
- > Multiple network monitoring: Web viewer, CMS(DSS/PSS) & DMSS

DH-DVR0404/0804/1604HF-AL-E

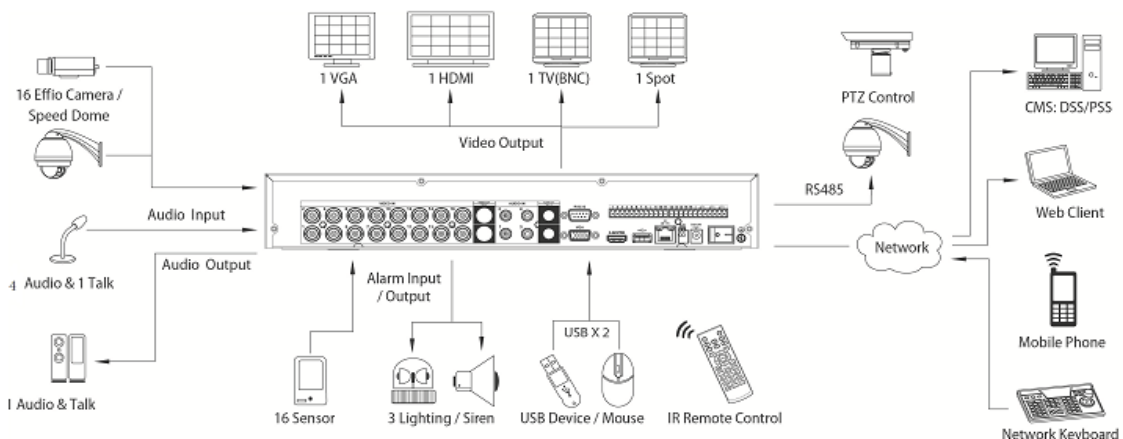
Technical Specifications

Model	DH-DVR0404HF-AL-E	DH-DVR0804HF-AL-E	DH-DVR1604HF-AL-E
System			
Main Processor	Embedded processor		
Operating System	Embedded LINUX		
Video			
Input	4 channel, BNC	8 channel, BNC	16 channel, BNC
Standard	NTSC/ PAL, Effio 960H camera		
Audio			
Input	4 channel, BNC	8 channel, BNC	4 channel, BNC
Output	1 channel, BNC		
Two-way Talk	1 channel Input, 1 channel Output(reuse the audio output channel), BNC		
Display			
Interface	1 HDMI, 1 VGA, 1 TV, 1 Spot, BNC		
Resolution	1920×1080, 1280×1024, 1280×720, 1024×768, 800×600		
Display Split	1/4	1/4/8/9	1/4/8/9/16
Privacy Masking	4 rectangular zones (each camera)		
OSD	Camera title, Time, Video loss, Camera lock, Motion detection, Recording		
Recording			
Video/Audio Compression	H.264 / G.711		
Image Resolution	960H(960×576/960×480)/D1/4CIF(704×576/704×480) / HD1(352×576/352×480) / 2CIF(704×288/704×240) / CIF(352×288/352×240) / QCIF(176×144/176×120)		
Record Rate	Main Stream:	960H/D1/HD1/2CIF/CIF(1~25/30fps)	
	Extra Stream	CIF/QCIF(1~25/30fps)	
Bit Rate	48~4096Kb/s		
Record Mode	Manual, Schedule(Regular(Continuous), MD, Alarm), Stop		
Record Interval	1~120 min (default: 60 min), Pre-record: 1~30 sec, Post-record: 10~300 sec		
Video Detection & Alarm			
Trigger Events	Recording, PTZ, Tour, Alarm, Video Push, Email, FTP, Spot, Buzzer & Screen tips		
Video Detection	Motion Detection, MD Zones: 396(22×18), Video Loss & Camera Blank		
Alarm Input	4 channel	8 channel	16 channel
Relay Output	3 channel		
Playback & Backup			
Sync Playback	1/4	1/4/9	1/4/9/16
Search Mode	Time/Date, Alarm, MD & Exact search (accurate to second), Smart search		
Playback Functions	Play, Pause, Stop, Rewind, Fast play, Slow play, Next file, Previous file, Next camera, Previous camera, Full screen, Repeat, Shuffle, Backup selection,		

DH-DVR0404/0804/1604HF-AL-E

	Digital zoom
Backup Mode	USB Device / Internal SATA burner/Network
Network	
Ethernet	RJ-45 port (10/100M/1000M)
Network Functions	HTTP, IPv4/IPv6, TCP/IP, UPNP, RTSP, UDP, SMTP, NTP, DHCP, DNS, PPPOE, DDNS, FTP, IP Filter, Alarm Server
Max. User Access	20 users
Smart Phone	iPhone, iPad, Android, Windows Phone
Storage	
Internal HDD	2 SATA ports (2HDDs or 1HDDs+1CD/DVD-RW), up to 8TB
Auxiliary Interface	
USB Interface	2 ports (1 Rear), USB2.0
RS232	1 port, For PC communication & Keyboard
RS485	1 port, For PTZ control
General	
Power Supply	DC12V/5A
Power Consumption	20W(without HDD)
Working Environment	-10 ~ +55°C / 10~90%RH / 86~106kpa
Dimension(W×D×H)	1.5U, 440mm×460mm×68mm
Weight	5.0KG(without HDD)

System Connection



* Take DVR1604HF-AL-E as an example

Dahua Technology Co., Ltd.

1187 BinAn Road, Binjiang District, Hangzhou, China

Tel: +86-571-87688883

Fax: +86-571-87688815

Email: overseas@dahuatech.com

www.dahuatech.com

*Design and specifications are subject to change without notice.

DH-DVR0404/0804/1604HF-AL-E
