

## DH- CPXXX-VRB3B

### All-in-one housing for ALPR



### Features

- 22 inch, Embedded within lightning protection devices for network , heating and air fan module , connectors, easy to install.
- Support polarizing filter, recognize the face in vehicle clearly
- IP66

### Specifications

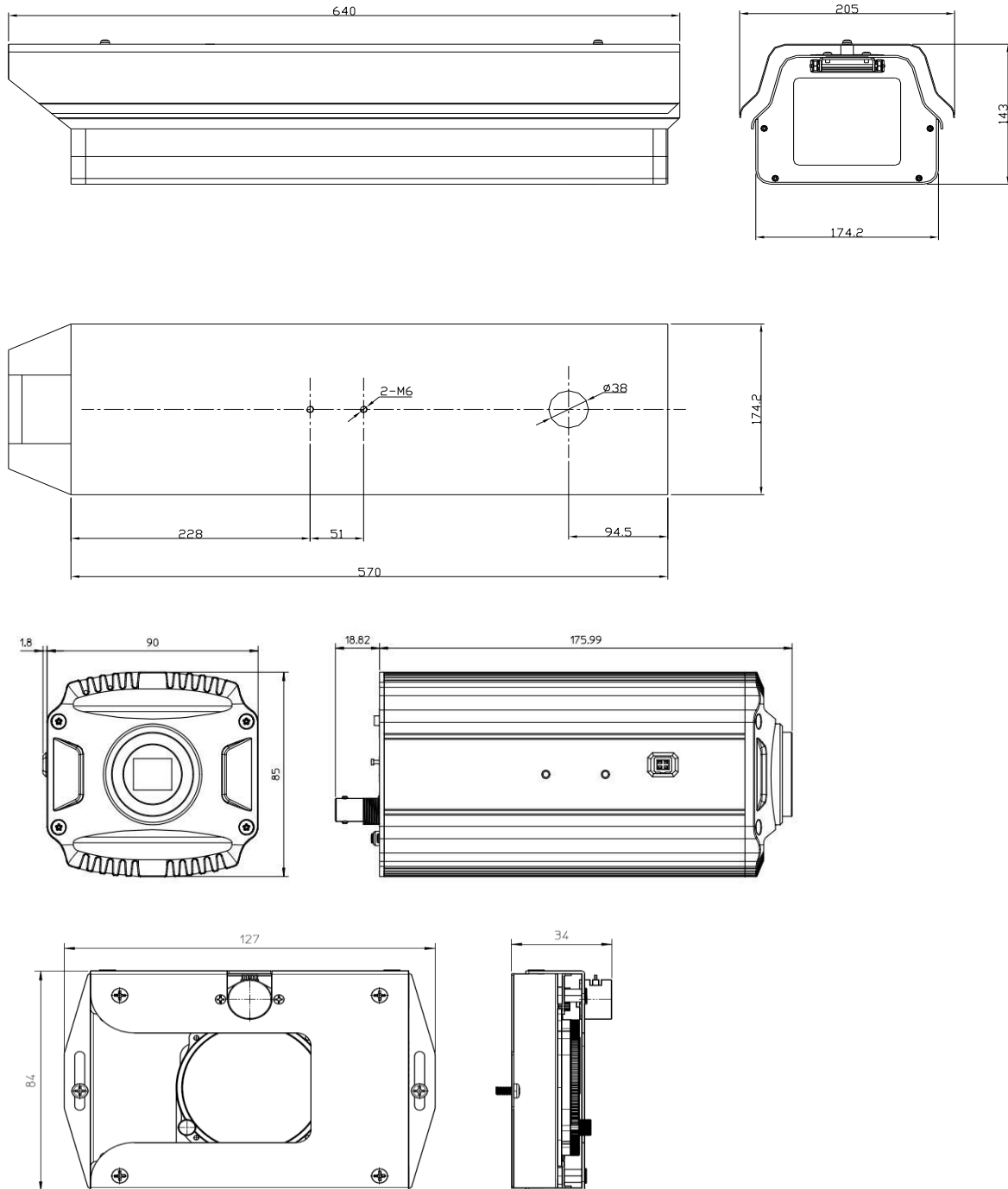
R : embedded with the power supply for radar;

N: without the module for heating and air fan module

Model		DH-CPXXX-VRB3B	DH-CPXXX-VRB3B-NR	DH-CPXXX-VRB3B-R
Polarizing filter	Processor	MCU		
	Dial switch	Eight-digit for configuration		
	Power	DC 5V		
	Consumption	<4w		
	Service life	5 years		
	Size	127.0mm×84.0mm×34.0mm		
	Weight	0.6kg		
Lightning protection devices	Interface	RJ45		
	Voltage	3.3V		
	Transmission speed	1000Mbps		
	Response time	<5nS		
	Dimension	90.0mm×66.0mm×18.0mm		
	Voltage for protection	<500V		
Housing	IP level	IP66		
	Size	22 inch		
	Function module	Heating and air fan module	The power for radar	The power for radar and Heating and air fan module

# DH- CPXXX-VRB3B

## Dimensions



### Dahua Technology Co., Ltd.

1199BinAn Road, Binjiang District, Hangzhou, China

Tel: +86-571-87688883

Fax: +86-571-87688815

Email: [overseas@dahuatech.com](mailto:overseas@dahuatech.com)

[www.dahuatech.com](http://www.dahuatech.com)