

## DH-CA-MW181F/183F

---

720TVL HDIS IR Mobile Camera



### Features

- 1/3" HDIS
- High resolution of 720TVL
- Day/Night(ICR), AWB, AGC, BLC
- 2.1mm fixed lens (2.8mm optional)
- Max. IR LEDs length 10m
- Aviation connector, Shock-proof, Audio(MW183F)
- IP67, DC12V

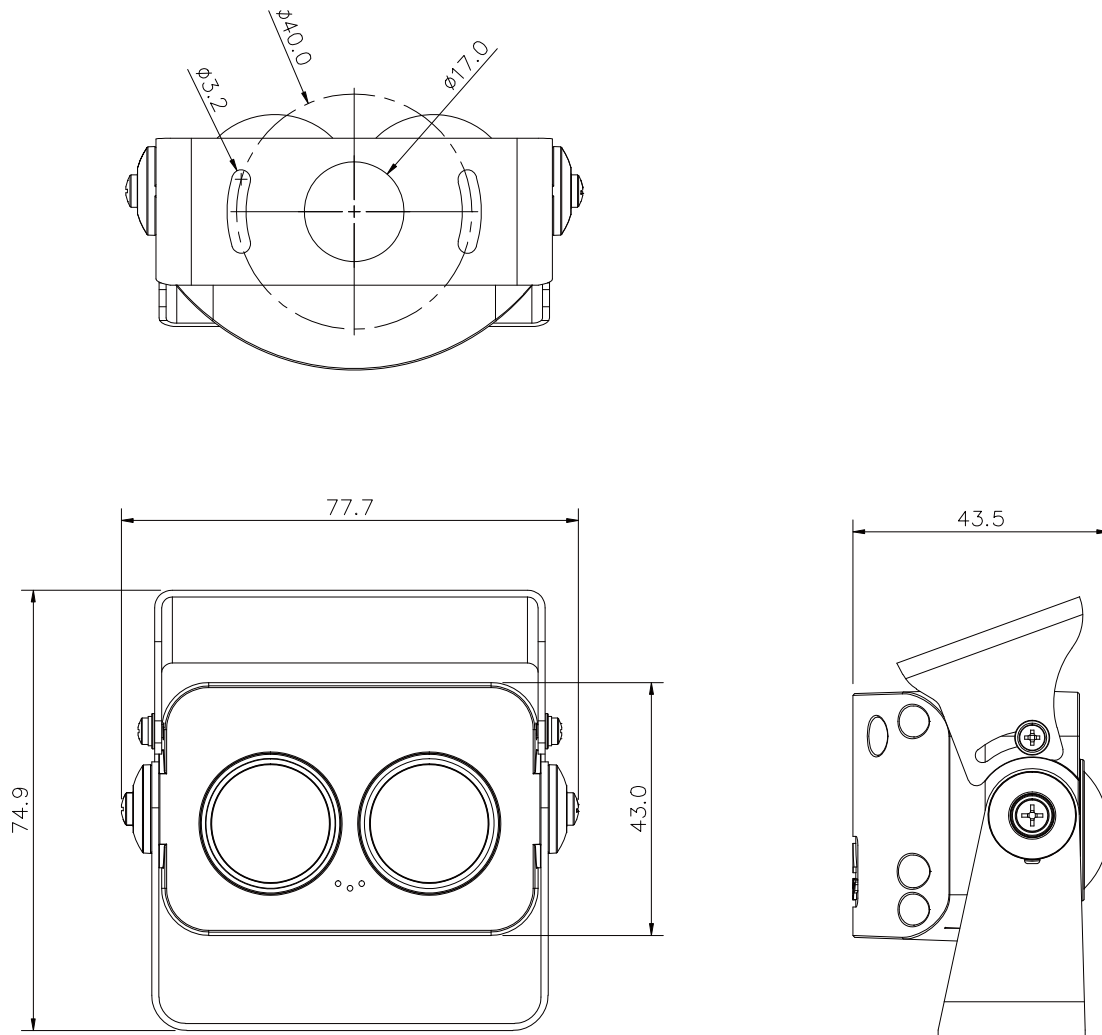
# DH-CA-MW181F/183F

## Technical Specifications

Model	DH-CA-MW181FP/N	DH-CA-MW183FP/N
<b>Camera</b>		
Image Sensor	1/3" HDIS	
Effective Pixels	960(H)×496(V)	
Horizontal Resolution	720TVL	
Electronic Shutter	1/50s(60s)~1/10,000s	
Synchronization	Internal	
Min. Illumination	0.02Lux@F1.2(AGC ON), 0Lux IR on	
S/N Ratio	>65dB(AGC Off)	
Video Output	1Vp-p Composite Output (75Ω/Aviation connector)	
<b>Camera Features</b>		
Max. IR LEDs Length	10m	
Day/Night	Auto(ICR) / Color / B/W	
Backlight Compensation	BLC	
White Balance	Auto	
Gain Control	Auto	
Mirror	Horizontal mirror	
Audio	N/A	Support
<b>Lens</b>		
Focal length	2.1mm (2.8mm optional)	
Angle of View	H: 136° (89°)	
Mount Type	M12	
<b>General</b>		
Power Supply	DC12V±10%	
Power Consumption	Max 1.8W	
Working Environment	-40°C~+60°C / Less than 90%RH	
Ingress Protection	IP67	
Dimensions	74.9mm×77.7mm×43.5mm	
Weight	0.2kg	
Default	N/A	with Pickup

# DH-CA-MW181F/183F

## Dimensions (mm)



---

### Dahua Technology Co., Ltd.

1199 BinAn Road, Binjiang District, Hangzhou, China

Tel: +86-571-87688883

Fax: +86-571-87688815

Email: [overseas@dahuatech.com](mailto:overseas@dahuatech.com)

[www.dahuatech.com](http://www.dahuatech.com)