

DH-CA-FW480D

700TVL Waterproof IR Camera



Features

- 1/3" SONY Super HAD CCD II & Effio-E DSP
- High resolution of 700TVL
- DWDR, Day/Night, AGC, ATW, BLC
- 6mm fixed lens (3.6mm, 8mm, 12mm optional)
- Max. IR LEDs length 50m, Smart IR
- IP66, DC12V

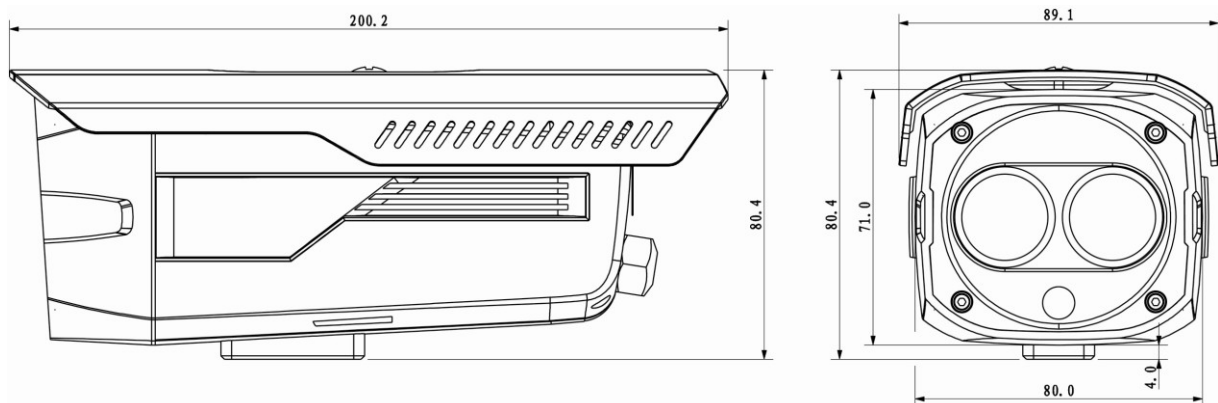
DH-CA-FW480D

Technical Specifications

Model	DH-CA-FW480DP	DH-CA-FW480DN
Camera		
Image Sensor	1/3" Super HAD CCD II	
Effective Pixels	976(H) x 582(V), 570K pixels	976(H) x 494(V), 480K pixels
Horizontal Resolution	700TVL	
Electronic Shutter	1/50s~1/100,000s	1/60s~1/100,000s
Synchronization	Internal	
Min. Illumination	0.02Lux@F1.2(0Lux IR LED on)	
S/N Ratio	>60dB	
Video Output	1Vp-p Composite Output (75Ω/BNC)	
Camera Features		
Max. IR LEDs Length	50m, Smart IR	
Day/Night	Auto(Electronic) / Color / B/W	
Backlight Compensation	BLC	
White Balance	Auto	
Gain Control	Auto	
Lens		
Focal length	6mm (3.6mm, 8mm, 12mm optional)	
Mount Type	M12	
General		
Power Supply	DC12V±10%	
Power Consumption	Max 6W	
Working Environment	-30°C~+60°C / 20%~80%RH	
Ingress Protection	IP66	
Dimensions(W×D×H)	89.1mm×200.2mm× 80.4mm	
Weight	450g	

DH-CA-FW480D

Dimensions (mm)



Accessories (optional)



CA-J20

Dahua Technology Co., Ltd.

1187 BinAn Road, Binjiang District, Hangzhou, China

Tel: +86-571-87688883

Fax: +86-571-87688815

Email: overseas@dahuatech.com

www.dahuatech.com

*Design and specifications are subject to change without notice.

© 2013 Dahua Technology Co., Ltd.