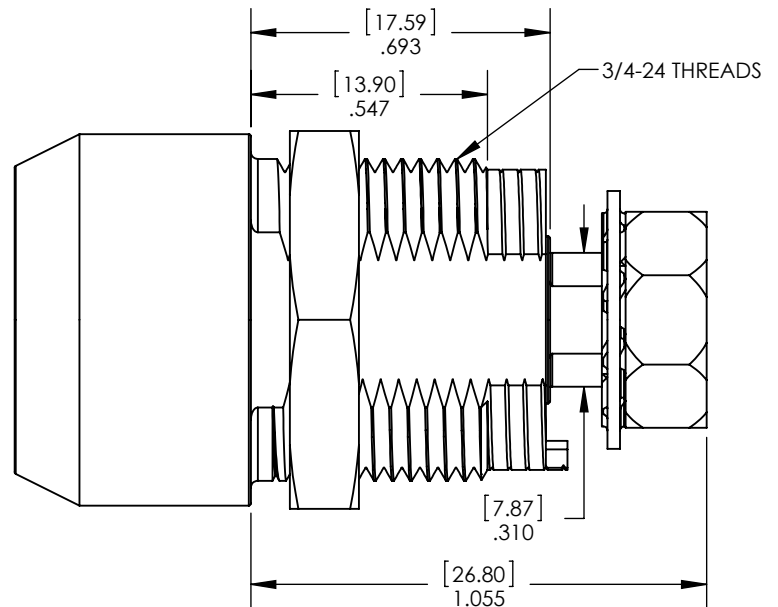
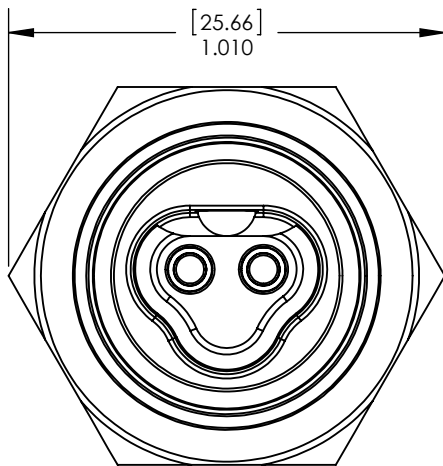
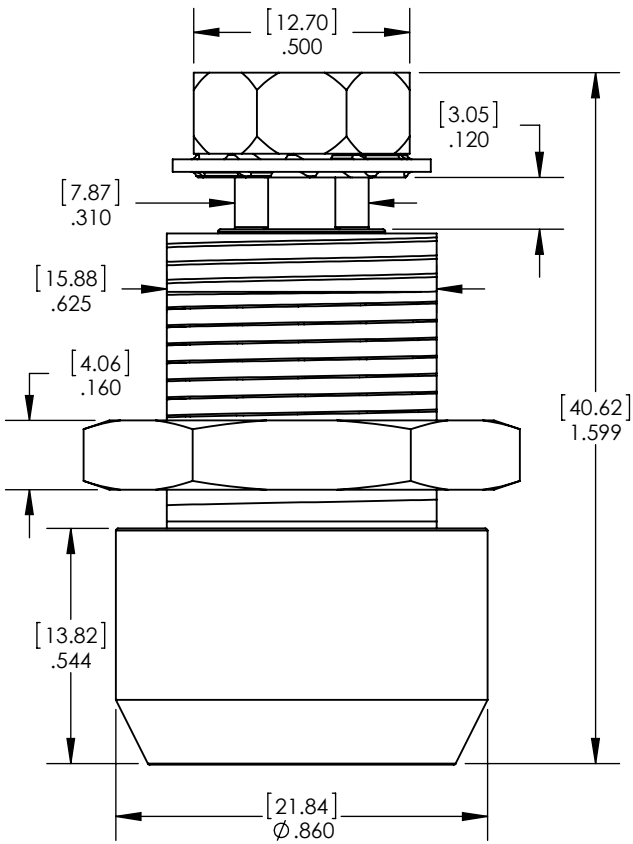


5/16-24 THREADS



PART NUMBER

CL-C10N



1105 NE CIRCLE BLVD
CORVALLIS OR 97330
(541) 738-5500

Proprietary information of Videx
Unlawful to copy, reproduce, or
disclose to others by any means
without express written consent.

DESCRIPTION

CAM, 3/4" DIAMETER, 5/16" TENON, NO LATCH

PDF CREATED

9/19/2012

REV

A