

## Web Station

Part numbers:

CKS-030 – 120 V, 60 Hz

CKS-F30 – 220 V, 50 Hz

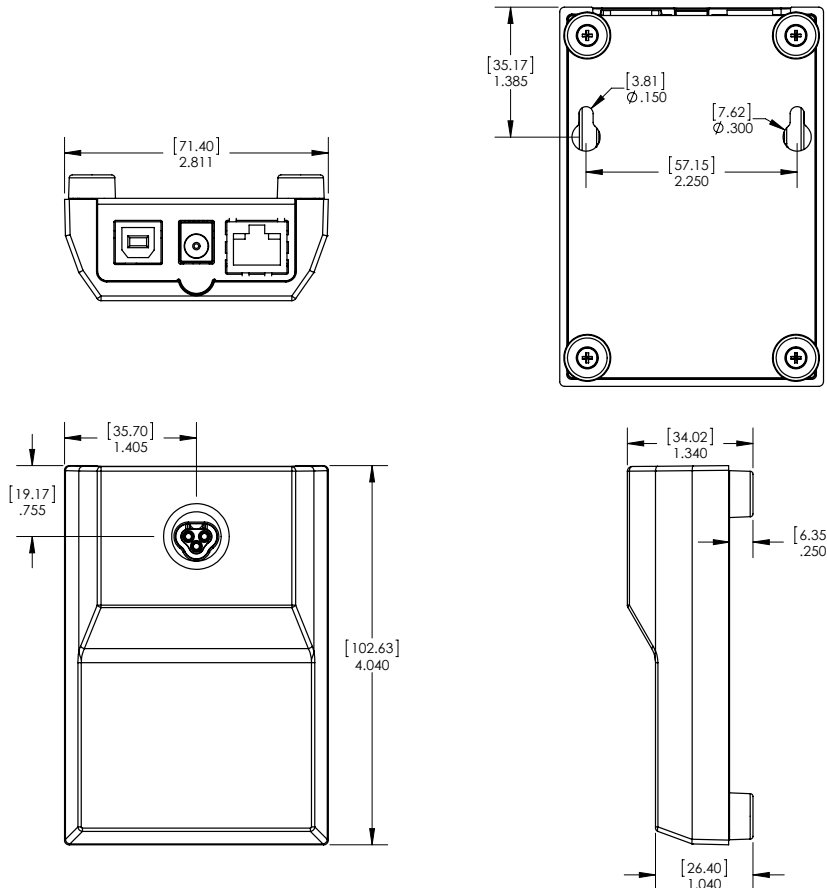
Pro  Enterprise

The Web Station is designed to work as a stand alone communication device. Once it is configured on a computer with either CyberAudit Professional or CyberAudit Enterprise management software, it can be placed indoors, anywhere there is a RJ-45 network connection. The Web Station updates and authorizes any CyberKey smart key from a remote location via LAN or over the Internet. It can also be used to charge rechargeable CyberKeys.



## Specifications

<b>Physical</b>	Black powder-coated zinc
<b>Operating Temperatures</b>	32° to 122° F, 0° to 50° C, indoor installation
<b>Dimensions</b>	1.34" H x 2.8" W x 4" L (34 mm x 71.4 mm x 102.6 mm)
<b>Weight</b>	10.2 oz. (289.2 g)
<b>Power</b>	Input: 12 V, 500 mA, CKS-030 has a 120 V, 60 Hz transformer, CKS-F30 has a 220 V, 50 Hz transformer
<b>Connections</b>	RJ-45 for 100baseT Ethernet, Length: 250 feet maximum Cat 5 patch cable; USB port used for initial configuration of Web Station
<b>Visual Indicator</b>	5: Power, Charging, Charge Complete, Ready, and Busy
<b>Compatible Keys</b>	CK-IR7C, CK-IR7, CK-RBT, CK-RCG, CK-RXD, CK-RXD2



Notes:  
Dimensions in inches (mm)  
Drawing not to scale