



CYBERKEY USB

RECHARGEABLE CYBERKEY SMART KEY



- » Auditable
- » USB Recharging Port
- » Custom Access Schedules



Convenience

Charge via the key tip or using the micro USB port



Flexibility

Individually manage fully customizable permission schedules



Control

Records all access attempts both successful and unsuccessful

- » **Memory Contains Encrypted Access Codes & Records up to 12,000 Audit Trail Events**
- » **Second Generation Rechargeable CyberKey**
- » **Compatible with Cyber Audit-Web Basic or Enterprise (v.9.0 or later)**



CyberKey USB

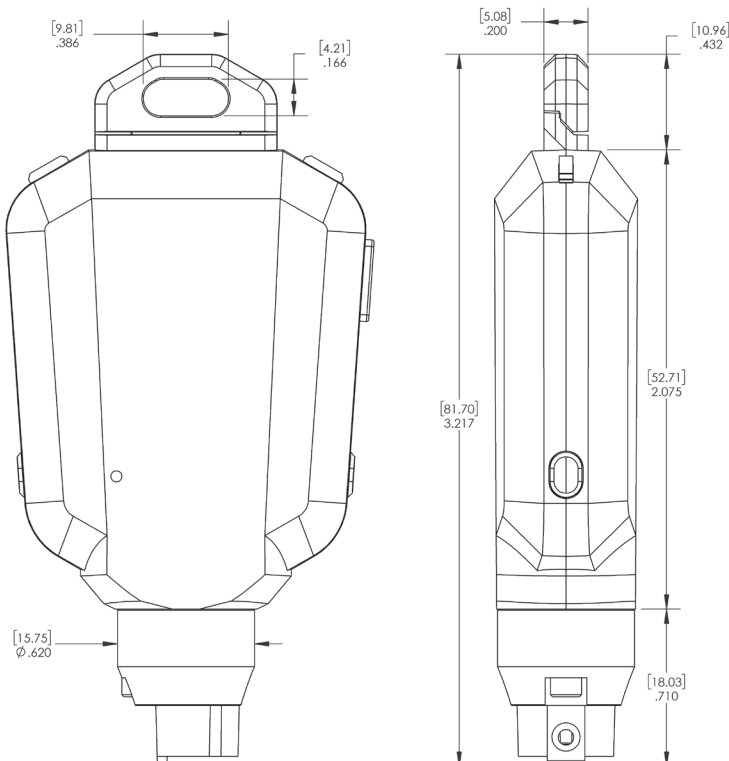
Part Number: CK-USB

The CyberKey USB is an electronic key used to operate CyberLock cylinders. It has memory that contains encrypted access codes, a list of locks it may access, schedules of authorized dates and times it may access locks, and a begin-end date range during which the key will operate. The battery from a CyberKey energizes the electronics within a CyberLock cylinder.



Specifications

Communication	Via the key tip, infrared port within the key tip, and micro USB port
Physical	Fiberglass reinforced nylon, replaceable brass tip
Operating Temperatures	32° to 122° F, 0° to 50° C
Dimensions	3.22" L x 0.65" W x 1.63" H (81.8 mm x 16.5 mm x 41.4 mm)
Weight	1.27 oz (36 g)
Power	Rechargeable lithium ion polymer
Memory	4 MB for up to 12,000 audit trail records and 3300 locks or 12,000 audit trails and 12,000 locks with optional lock list filtering SEM
Recharging	Via the key tip or micro USB port
Visual Indicators	Red and blue LED indicator lights top, bottom, and back
Audio Indicator	Embedded speaker
Communicator Link	Generation 2 communicators such as the ValidiKey 20 vault, ValidiKey 2 Plus vault, and station, USB Station with CyberLink 2



Notes:

Dimensions in inches [mm]

Drawing not to scale

