

CyberKey, Rechargeable Battery

Part number: CK-RXD

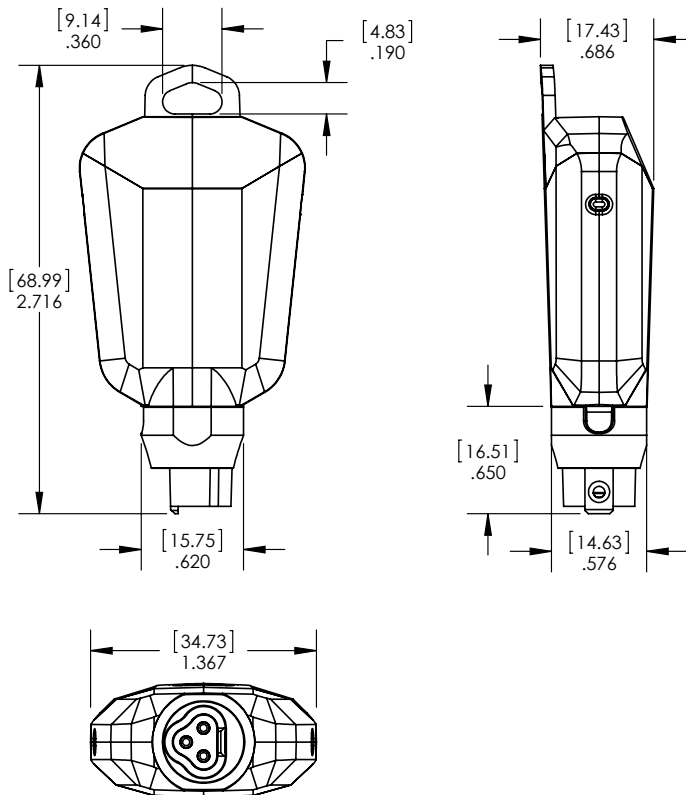
Pro Enterprise

The CyberKey is an electronic key used to operate CyberLock cylinders. It has memory that contains encrypted access codes, a list of locks it may access, schedules of authorized dates and times it may access locks, and a begin-end date range during which the key will operate. The battery from a CyberKey energizes the electronics within a CyberLock cylinder.



Specifications

Physical	Fiberglass reinforced nylon, brass tip
Operating Temperatures	32° to 122° F, 0° to 50° C
Dimensions	2.72" H x 1.37" W x .69" D (69.0 mm x 34.7 mm x 17.4 mm)
Weight	1.1 oz (30.4 g)
Power	Rechargeable lithium ion polymer battery
Memory	Internal memory supports an audit trail of up to 3900 events
CyberAudit-Web Link	Via any compatible CyberLock Communicator
Communicator Link	Via the key tip and/or through the infrared port
Visual Indicators	Four indicator lights (battery level, key activation, and no access)



Notes:
 Dimensions in inches (mm)
 Drawing not to scale