

Conway External Wall and Ceiling Mounted, Vandal Resistant Housings

EHC4, EHW4 and Corner Kit

The Conway range of external camera housings is designed specifically to provide an environment for camera and lens assemblies that is safe from interference and the weather. The housing also gives the added advantage of hiding cables and wires that might be unsightly in many situations.

The camera mounting assembly has been designed to cope with most major cameras on the market. It has the ability to take top or base mounting cameras and the removal of one part of the assembly will allow the housing to be mounted on a wall either left or right facing.

The EHW4 is designed to allow the camera and lens to look directly out from a wall or flat vertical surface. A small amount of side-to-side adjustment is possible (approx. 20 degrees). Vertical adjustment (approx 60 degrees) is also possible.

Optional

- The CK is a corner mounting unit made for the EHW4 which allows the unit to be fixed in a 90 degree corner.
- Heater, please specify voltage when ordering.

Special Finishes At Conway we manufacture all of our products at our factories in High Wycombe and are therefore able to apply special colour finishes to customer specifications.

Products not shown to scale

EHW4/CK Corner Kit



EHW4



EHC4



Vandal resistant construction

Mono-Drive®

Anti-Tamper fittings

Manufactured to IP65

*Manufactured from
stainless steel (3CR12)*

*Available in 304
stainless steel*

Corner Kit available for EHW4

Finished in white power coat

12-36v or 110-240v heater

Special finishes available

Cast Acrylic Screen

Cable termination

Anti tamper kits

Glass screen option



www.conway-cctv.co.uk

EHC4, EHW4 and Corner Kit

Specifications

Material

Stainless steel (3CR12)

Finish

White Powder Coat

LUL Specification Available on Request

Window

Cast Acrylic

Two Single Locking Screws

M8 Mono-Drive® Fittings

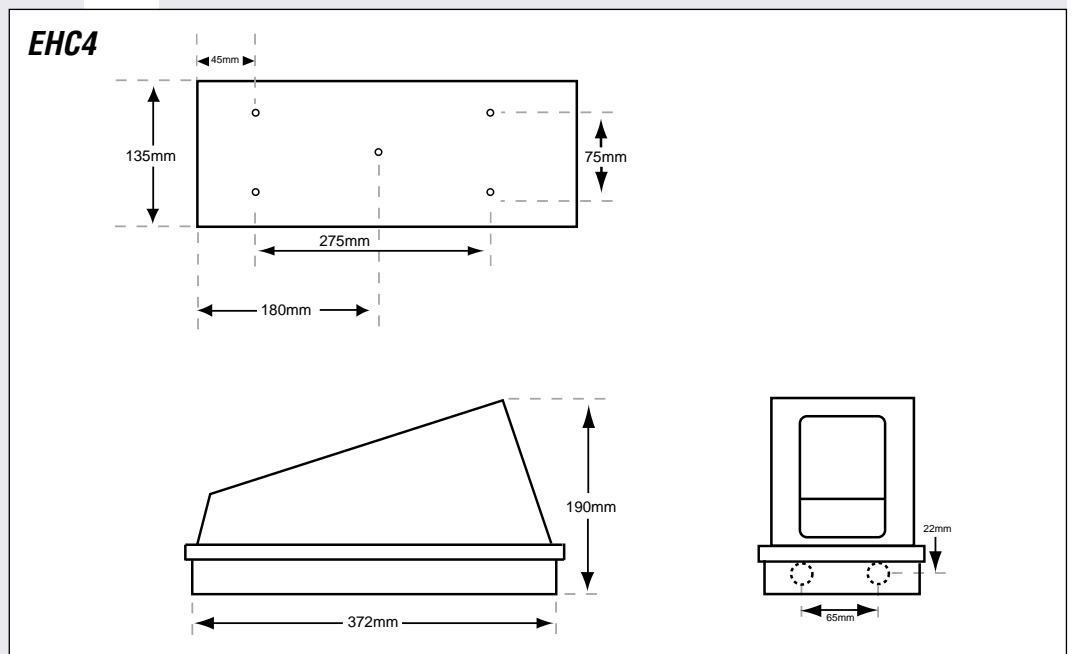
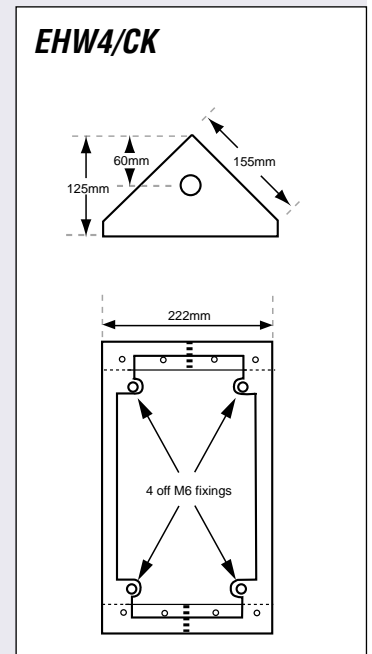
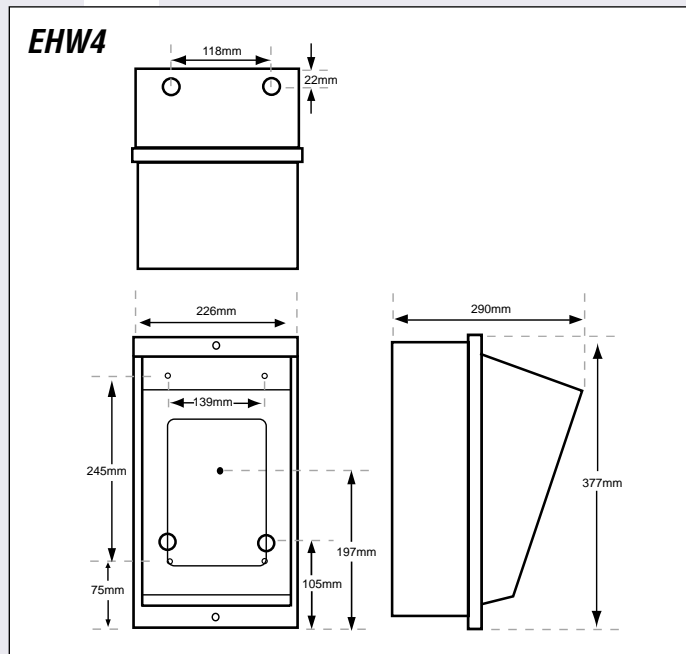
Mono-Drive®

Options

T2 Anti-tamper switch

304 stainless steel

12-36v or 110-240v heater



"Mono-Drive® is copyright of TR Fastenings Ltd."

Due to a policy of continual improvement, specifications may be subject to change. Drawings not shown to scale.