

KeyMaster AC-3114 controllers support up to 16 RS-485 devices, including AC-1100/1300/2010 readers, AC-3151 door controllers and AC-4311 I/O controllers.

Each AC-3114 controller provides eight digital inputs and eight relay outputs. The on-board memory can store up to 2,500 cardholders and 1,700 transactions.

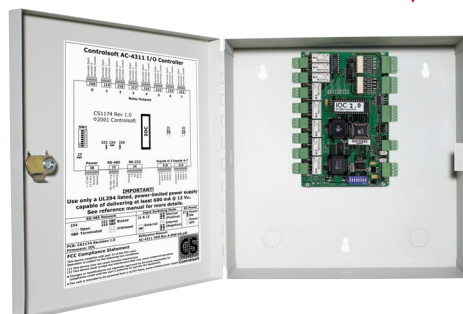


Expandable to 32 readers via AC-3151 door controllers.

AC-3151 door controllers connect to the RS-485 interface of an AC-3114 system controller. Each AC-3151 unit provides two Wiegand reader interfaces, four digital inputs and two relay outputs. ▼



AC-4311 I/O controllers extend the digital inputs and outputs available on system controllers. Each AC-4311 controller provides eight digital inputs and eight relay outputs. ▼



All equipment FCC approved. UL approval pending.

www.controlsoft.com

Building security solutions

AC-1100 proximity readers connect directly to AC-3114 controllers via the RS-485 interface. ▶



AC-1200 proximity readers are supported via AC-3151 door controllers or the auxiliary Wiegand interface of the AC-2010 clocking terminal. ▶



AC-1300 combination proximity keypad readers can be connected to RS-485 or Wiegand interfaces. ▶



AC-2010 proximity clocking terminals feature an integrated proximity reader, a keypad, LCD screen, digital I/O capability, and a Wiegand interface for an auxiliary card reader. ▼



Powerful software

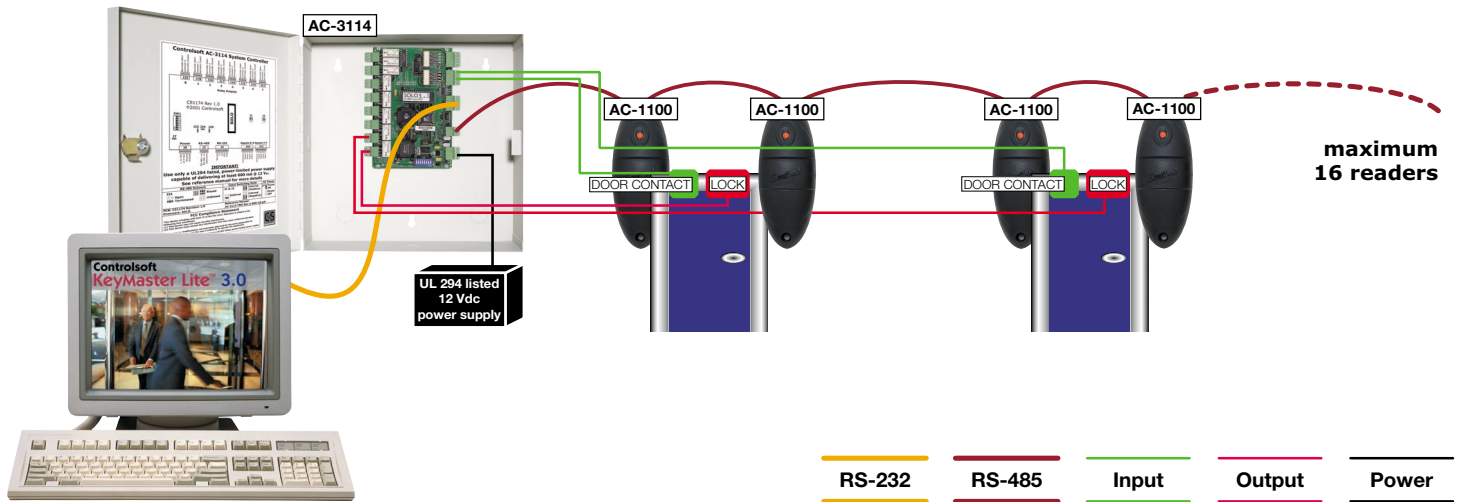
Controlsoft KeyMaster Lite™ 3.0



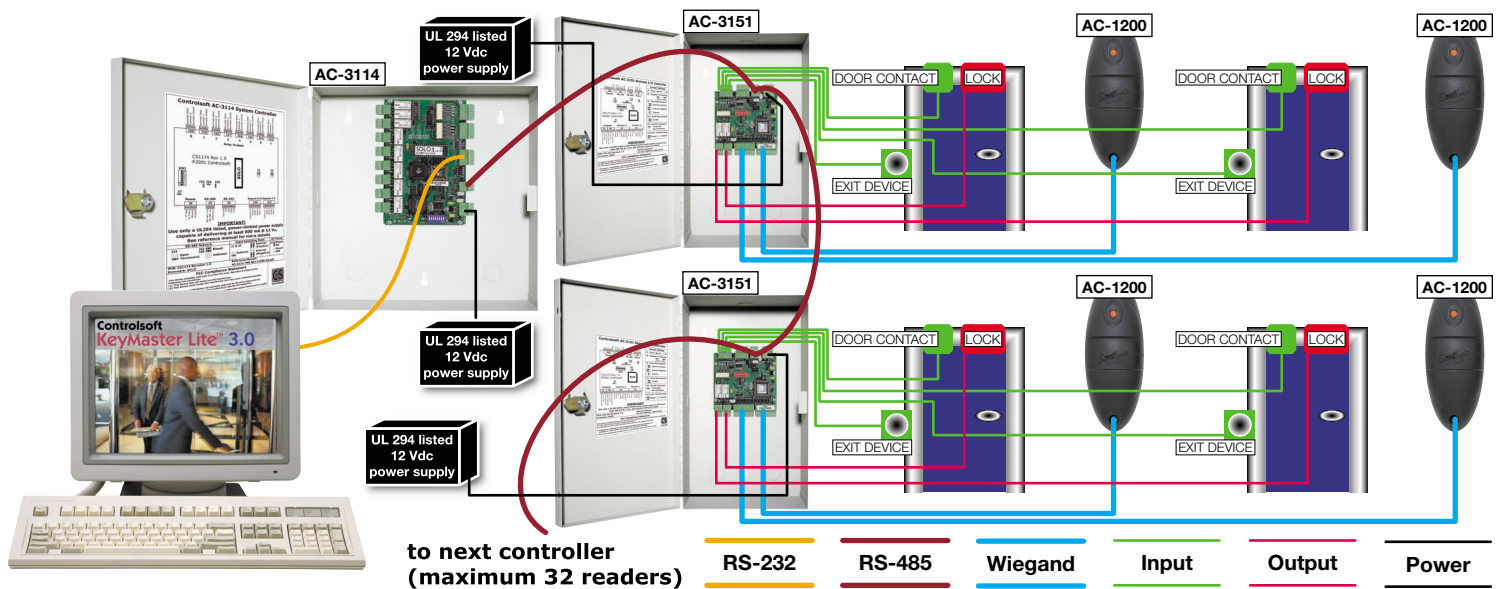
- easy installation
- quick setup
- cardholder photographs
- multi-language
- PIN keypad support
- multiple site control
- anti-passback
- site control via LAN or modem
- multiple companies
- mantraps and turnstiles
- fire sensor inputs
- public holidays
- time schedules
- time & attendance reporting
- full online help
- compatible with Windows 95/98/NT4/2000/Me/XP

KeyMaster Lite software and RS-232 serial cable supplied with AC-3114 controllers.

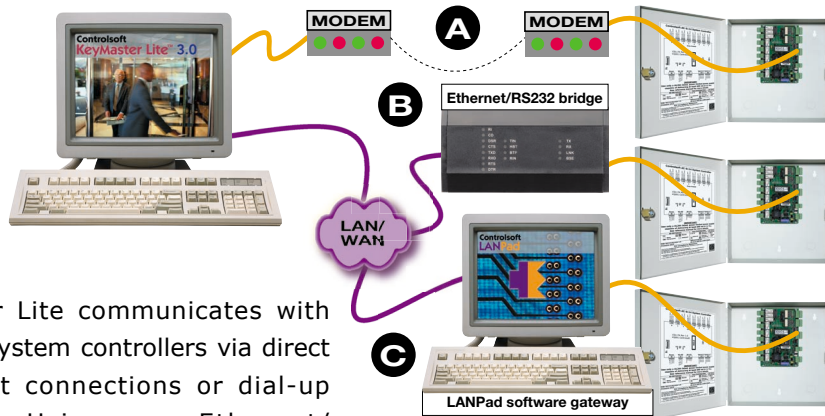
Typical configuration using readers with RS-485 interface



Typical configuration using readers with Wiegand interface



Three ways to connect to remote sites



KeyMaster Lite communicates with AC-3114 system controllers via direct serial port connections or dial-up modems. Using an Ethernet/RS-232 hardware bridge or software gateway, you can also set up communication with controllers via a corporate LAN or the Internet.

- A:** Modem dial-up
B: Ethernet / RS-232 bridge
C: LANPad software

Ordering information

KT-3114

1 x AC-3114 controller (including cable and software)
 2 x AC-1100 proximity readers
 10 x AC-7101 proximity tags

AC-3114

Eight door system controller
 RS-232 serial cable
 KeyMaster Lite software