

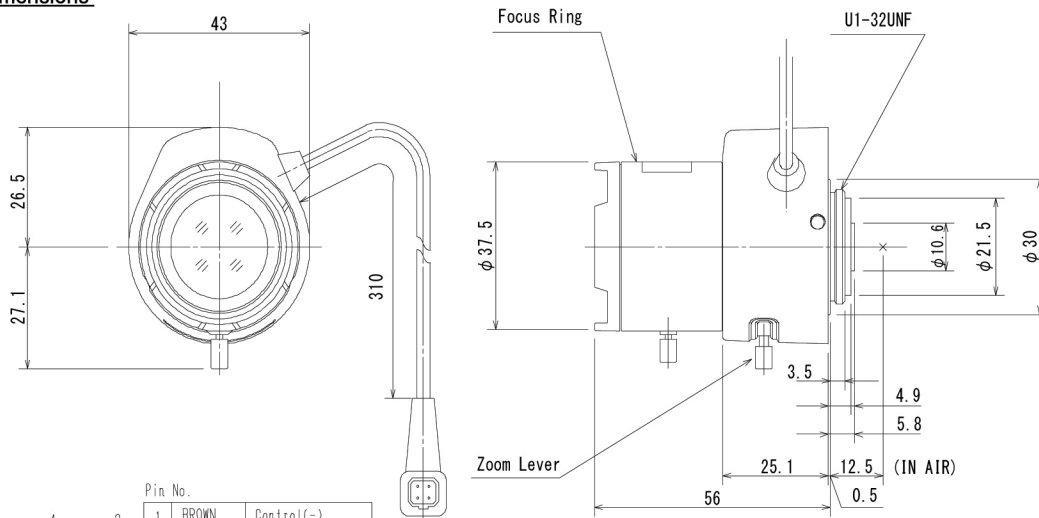
TG4Z2813FCS-MPIR



4X 2.8mm-12mm F1.3 Day & Night
for 1/3 type 1.3 Mega pixel Cameras, Vari-focal Auto Iris DC Drive
CS-Mount

Model No.	TG4Z2813FCS-MPIR			Effective	Front	φ 23.0mm	
Focal Length	2.8mm - 12mm			Lens Aperture	Rear	φ 7.4mm	
Max. Aperture Ratio	1:1.3			Back Focal Length	Tele	19.2mm	
Max. Image Format	4.8mm x 3.6mm(φ 6mm)				Wide	7.2mm	
Operation Range	Iris	F1.3 - F360		Flange Back Length		12.5mm	
	Focus	0.3m - Inf.		Mount		CS-Mount	
	Zoom	2.8mm - 12mm		Filter Size		—	
Control	Iris	DC Auto Iris		Dimensions		φ 37.5mm x 48mm x 56mm	
	Focus	Manual		Weight		71g	
	Zoom	Manual					
Angle of View	D	1/3 type	133.0° - 29.7°	1/4 type	95.0° - 22.3°		
	H		102.2° - 23.7°		74.2° - 17.8°		
	V		74.2° - 17.8°		54.7° - 13.3°		
Coil	Drive	190 Ω / 20°C					
	Control	855 Ω / 20°C					
Operating Temperature	-10°C - +50°C						

Dimensions



Wiring Diagram



Specifications are subject to change without notice.



CBC (AMERICA) Corp

NEW YORK: 55 MALL DRIVE COMMACK, NY 11725 • TEL: 1 (800) 422-6707 • (631) 864-9700 • FAX: (631) 543-5426
CALIFORNIA: 20521 EARL STREET TORRANCE, CA 90503 • TEL: 1 (800) 888-0131 • (310) 793-1500 • FAX: (310) 793-1506
www.computarganz.com © 2008 CBC (AMERICA) Corp. All Rights Reserved. (2008.04)