

TG0812FCS-3

8.0mm F1.2
for 1/3" format cameras
CS-Mount

with Focus, w/o Amplifier

Model No.	TG0812FCS-3		Effective	Front	φ 25.0 mm
Focal Length	8.0mm		Lens Aperture	Rear	φ 8.8 mm
Max. Aperture Ratio	1 : 1.2		Back Focal Length	8.1 mm	
Max. Image Format	4.8 x 3.6mm (φ 6mm)		Flange Back Length	12.5 mm	
Operation Range	Iris	F1.2 ~ 360	Mount	CS-Mount	
	Focus	0.2m ~ Inf.	Filter Size	M30.0 P=0.5	
Control	Iris	Auto Iris(by galvanometer)	Dimensions	φ 32.0 × 39.8 × 33.0 mm	
	Focus	Manual	Weight	39g	
Object Dimension at M.O.D.	12.5 x 9.2cm				
Angle of View	D	43.5°			
	H	34.7°			
	V	25.9°			
Coil	Drive	190 Ω			
	Control	855 Ω			
Operating Temperature	-20° C ~ +50° C				

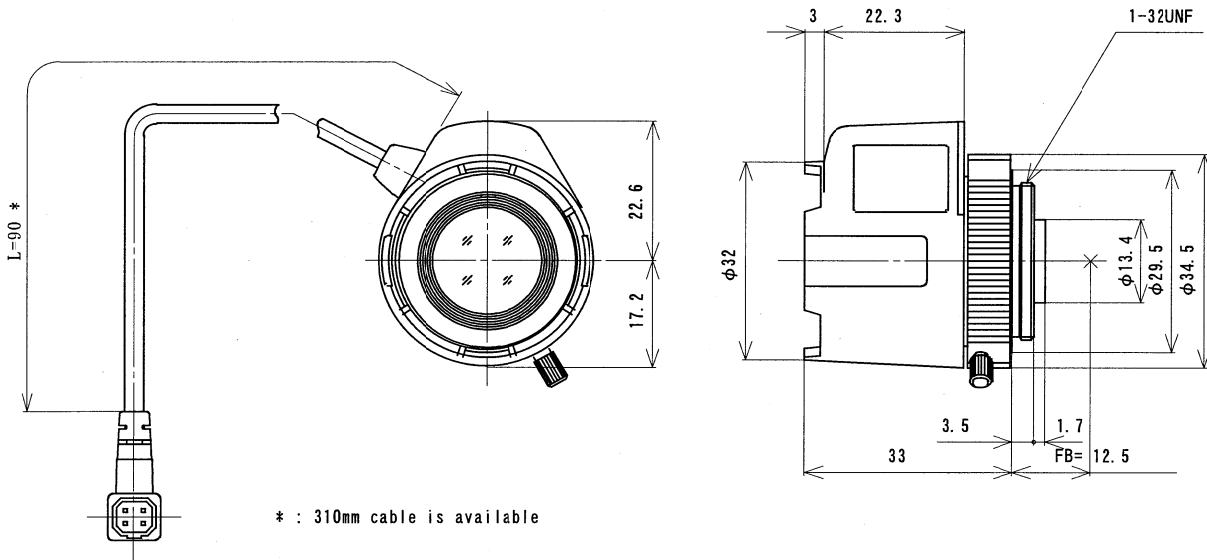
1/3

CS

AG

M.O.D. : Minimum Object Distance

Dimensions



Wiring Diagram

