

TG0812AFCS-3

8.0mm F1.2
for 1/3" format cameras
CS-Mount

with Focus & Amplifier

Model No.	TG0812AFCS-3		Effective	Front	φ 25.0 mm
Focal Length	8.0mm		Lens Aperture	Rear	φ 8.8mm
Max. Aperture Ratio	1 : 1.2		Back Focal Length	8.1 mm	
Max. Image Format	4.8 x 3.6mm (φ 6mm)		Flange Back Length	12.5 mm	
Operation Range	Iris	F1.2 ~ 360	Mount	CS-Mount	
	Focus	0.2m ~ Inf.	Filter Size	M30.0 P=0.5	
Control	Iris	Auto Iris (by galvanometer)	Dimensions	φ 32.0 × 39.8 × 33.0 mm	
	Focus	Manual	Weight	43g	
Object Dimension at M.O.D.	12.5 x 9.2cm				
Angle of View	D	43.5°			
	H	1/3"	34.7°		
	V	25.9°			
Supply Voltage	DC8 ~ 16V				
Current	Less than 35mA				
Response Time	Approx. 2 sec.				
Light Weighting Method	Adjustable between Average - Peak (to be set at Average at factory)				
Input Signal	Video Signal (V or VS)				
Iris Accuracy	± 15% at Video Signal Level				
Sensitivity Adjustment	0.5 ~ 1.0Vp-p (Video Signal)				
Input Impedance	High Impedance				
Operating Temperature	-20 ~ +50°C				

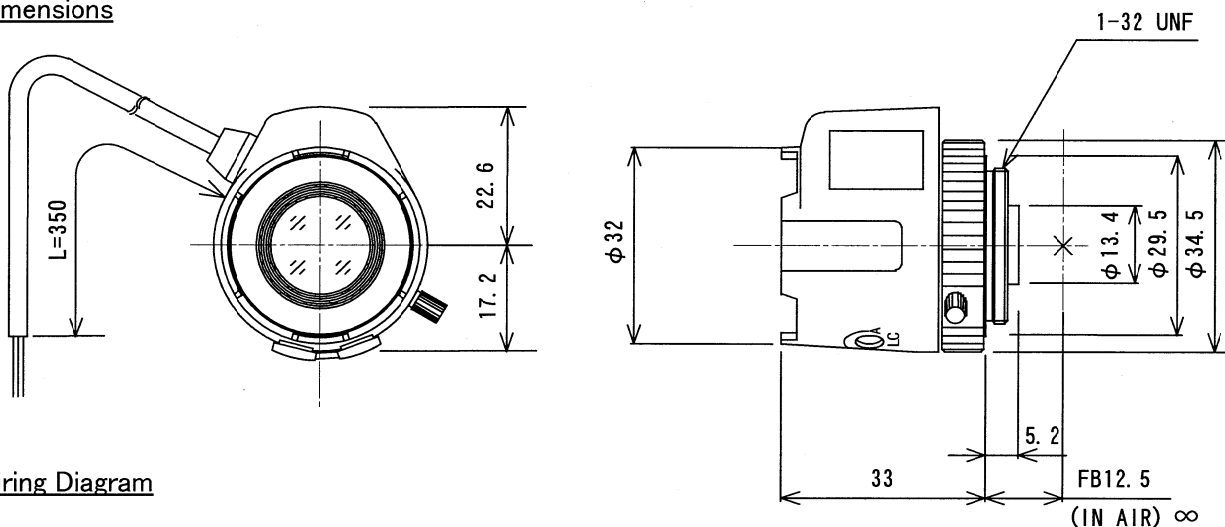
1/3

CS

AG

M.O.D. : Minimum Object Distance

Dimensions



Wiring Diagram

