

## T6Z5710AMS-CS

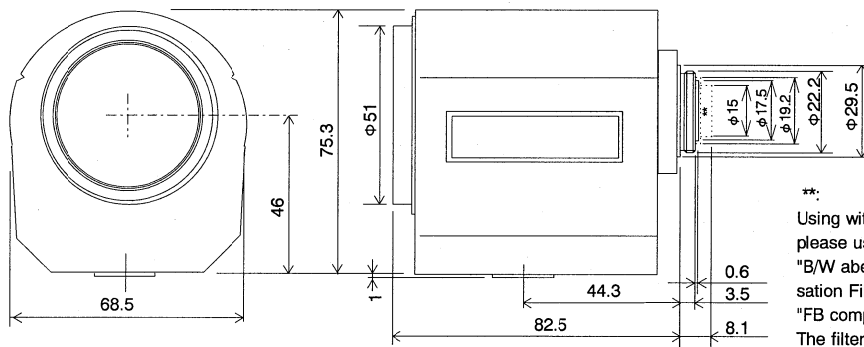
6X 5.7~34.2 mm F1.0  
for 1/3" format cameras  
CS-Mount

<b>Model No.</b>	T6Z5710AMS-CS		<b>Effective</b>	<b>Front</b>	φ 41.0 mm
<b>Focal Length</b>	5.7~34.2 mm		<b>Lens Aperture</b>	<b>Rear</b>	φ 10.2 mm
<b>Max. Aperture Ratio</b>	1:1.0		<b>Back Focal Length</b>	8.5 mm	
<b>Max. Image Format</b>	4.8X3.6 mm (φ 6 mm)		<b>Flange Back Length</b>	12.5 mm	
<b>Operation</b>	<b>Iris</b>	Auto Iris, F1.0~360 (by galvano control)	<b>Mount</b>	CS-Mount	
	<b>Focus</b>	Motorized, 1.2m~Inf.	<b>Filter Size</b>	M49 P=0.75 mm	
	<b>Zoom</b>	Motorized, 5.7~34.2mm	<b>Tripod Screw</b>	1/4"-20UNC	
<b>Object Dimension at M.O.D.</b>	<b>5.7 mm</b>	101.6 × 75.2 cm	<b>Dimensions</b>	W68.5 x H76.3 x 82.5 mm	
	<b>34.2 mm</b>	17.0 × 13.0 cm	<b>Weight</b>	450 g	
<b>Angle of View</b>	<b>D</b>	56.5° ~ 10.0°			
	<b>H</b>	45.9° ~ 8.1°			
	<b>V</b>	34.8° ~ 6.2°			
<b>Control</b>		<b>Iris</b>	<b>Focus</b>	<b>Zoom</b>	
	<b>Supply Voltage</b>	DC 8.5~16 V	DC 8 V	DC 8 V	
	<b>Current</b>	40 mA or less	20 mA or less	20 mA or less	
	<b>Transit Time</b>	Approx. 2 sec.	Approx. 3 sec.	Approx. 3.5 sec.	
<b>Light Weighting Method</b>	Adjustable between Average - Peak ( to be set at Average at factory )				
<b>Remote Control</b>	Level Remote				
<b>Input Signal</b>	Video Signal ( V or VS )				
<b>Iris Accuracy</b>	± 15% at Video Signal Level				
<b>Sensitivity Adjustment</b>	0.5~1.0Vp-p ( Video Signal )				
<b>Input Impedance</b>	High Impedance				
<b>Operating Temperature</b>	-10° C ~ +50° C				

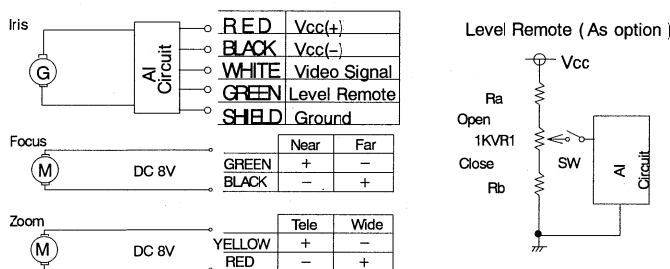
1/3  
CS

M.O.D. : Minimum Object Distance

### Dimensions



### Wiring Diagram



Remarks: Connect together with Black (Focus) and Red (Zoom) for common system when necessary.

ZA