

T3Z1014CS

VARI FOCAL 2.5X 10.0~25.0mm F1.4

for 1/3" format cameras

CS-Mount

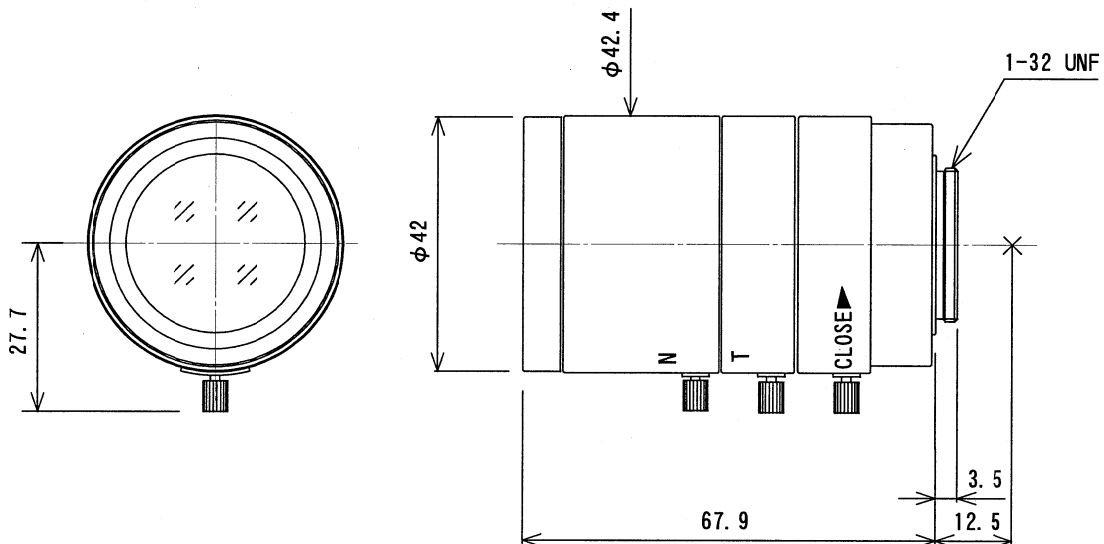
Model No.		T3Z1014CS		Effective Lens Aperture	Front	φ 29.0mm
Focal Length		10 ~ 25mm			Rear	φ 9.6mm
Max. Aperture Ratio		1 : 1.4		Back Focal Length	Tele	8.6mm
Max. Image Format		4.8 x 3.6mm (φ 6mm)			Wide	10.3mm
Operation Range	Iris	F1.4 ~ C		Flange Back Length		12.5mm
	Focus	0.5m ~ Inf.		Mount		CS-Mount
	Zoom	10 ~ 25mm		Filter Size		M40.5 P=0.5mm
Control	Iris	Manual		Dimensions		φ 42.4 x 67.9mm
	Focus	Manual		Weight		170g
	Zoom	Manual				
Object Dimension at M.O.D.	10 mm	23.9 × 17.7cm				
	25mm	9.9 × 7.4cm				
Angle of View	D	33.9~14.0°		1/4"	25.3~10.6°	
	H	26.9~11.3°			20.1~8.5°	
	V	20.1~8.5°			15.1~6.4°	
Operating Temperature		-20 ~ +50° C				

1/3

CS

M.O.D. : Minimum Object Distance

Dimensions



Z

SP