

**T10Z5712PDC-CS
10X 5.7~57mm F1.2
for 1/3" format cameras
CS-Mount**

With Preset

Model No.	T10Z5712PDC-CS		Effective	Front	φ45.0 mm
Focal Length	5.7~57mm		Lens Aperture	Rear	φ8.6mm
Max. Aperture Ratio	1 : 1.2			Back Focal Length	8.5 mm
Max. Image Format	4.8 x 3.6mm (φ6mm)		Flange Back Length		12.5 mm
Operation Range	Iris	F1.2 ~ 560	Mount		CS-Mount
	Focus	1.8m ~ Inf.	Filter Size		M49 P=0.75 mm
	Zoom	5.7~57mm	Tripod Screw		1/4"-20UNC
Control	Iris	DC Auto Iris(by galvanometer)	Dimensions		W68.5 x H76.3 x D88mm
	Focus	Motorized, Preset	Weight		500g
	Zoom	Motorized, Preset			
Object Dimension at M.O.D.	5.7mm	37.1 x 27.9cm			
	57mm	3.8 x 2.9cm			
Angle of View	D	1/3"	54.2~5.9°		
	H		44.6~4.8°		
	V		34.2~3.7°		
Control	Focus		Zoom		
Supply Voltage	DC8V		DC8V		
Current	25mA or less		25mA or less		
Response Time	Approx. 3.5 sec.		Approx. 4 sec.		
Preset Potentiometer	5KΩVR		5KΩVR		
Iris (DC Auto Iris)	Drive Coil	190Ω			
	Control Coil	1000Ω			
Operating Temperature	-10°C ~ +50°C				

1/3

CS

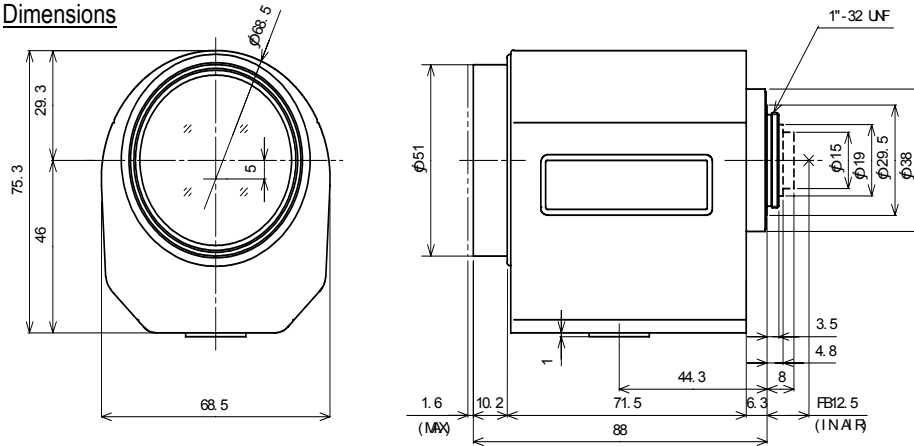
ZA

M.O.D. : Minimum Object Distance

T10Z5712PDC-CS
10X 5.7~57mm F1.2
for 1/3" format cameras
CS-Mount

With Preset

Dimensions

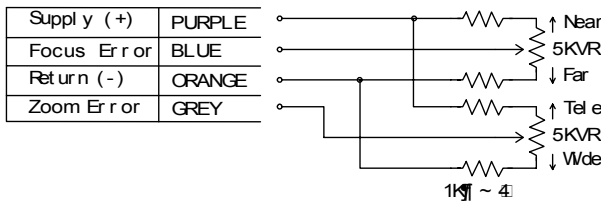


(B&W)

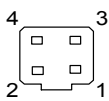
(B&W)
 Using with a B/W camera, Please use the attached "B/W aberration compensation Filter" and "FB compensation Spacer". the filter (M20 P=0.5mm) should be screwed onto the lens from rear side and the spacer should be placed between lens and camera.

Wiring Diagram

PRESET POTENTIOMETER



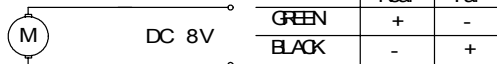
IRS



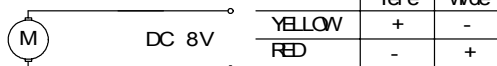
Pin No.

1	BROWN	Control (-)
2	RED	Control (+)
3	YELLOW	Drive (+)
4	ORANGE	Drive (-)

FOCUS



ZOOM



Remarks: Connect together with Black (Focus) and Red (Zoom) for common system when necessary.