

MCA1213APC

12.5mm F1.3

for 1" format camera

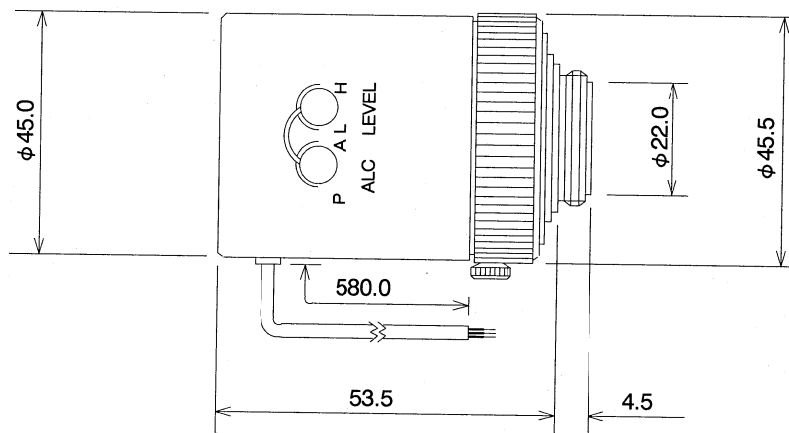
C-Mount

with Amplifier, with Focus

Model No.	MCA1213APC	Effective	Front	φ 29.5 mm
Focal Length	12.5 mm	Lens Aperture	Rear	φ 16.0 mm
Max. Aperture Ratio	1:1.3	Back Focal Length		15.84 mm
Max. Image Format	12.8×9.6 mm (φ 16 mm)	Flange Back Length		17.526 mm
Operation	Iris	Auto Iris F1.3~360	Mount	C-Mount
		(Auto close system)	Filter Size	M43.0 x 0.75mm
	Focus	Manual, 0.3m~Inf.	Dimensions	φ 45.5×53.5 mm
Object Dimension at M.O.D.	31.2 x 23.4 cm	Weight		175 g
Angle of View	D	66.0°		
	H	54.6°		
	V	41.8°		
Supply Voltage	DC 8~16 V			
Current	Less than 50 mA			
Transit Time	Approx. 2 sec.			
Light Weighting Method	Adjustable between Average - Peak (to be set at Average at factory)			
Input Signal	Video Signal (V or VS)			
Iris Accuracy	± 10% at Video Signal Level			
Sensitivity Adjustment	0.5~1.0Vp-p (Video Signal)			
Input Impedance	High Impedance			
Operating Temperature	-20 C~+50 C			

M.O.D. : Minimum Object Distance

Dimensions



Wiring Diagram

