

M8513

8.5mm F1.3

for 2/3" format cameras

C-Mount

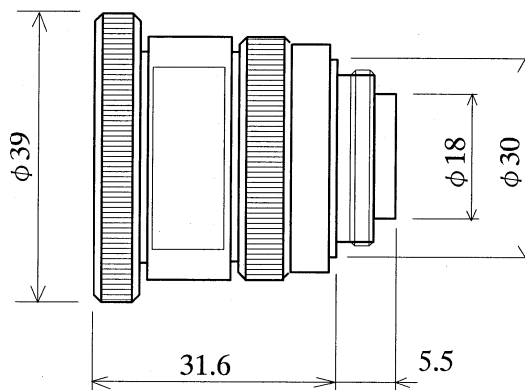
Model No.	M8513	Effective	Front	φ 20.0 mm
Focal Length	8.5 mm	Lens Aperture	Rear	φ 12.0 mm
Max. Aperture Ratio	1 : 1.3	Back Focal Length		12.3 mm
Max. Image Format	8.8 X 6.6 mm (φ 11 mm)	Flange Back Length		17.526 mm
Operation	Iris	F1.3 ~ 16C	Mount	C-Mount
	Focus	0.2m ~ Inf.	Filter Size	-
Object Dimension at M.O.D.	18.6 x 13.6 cm	Dimensions		φ 39 x 31.6 mm
		Weight		50 g
Angle of View	D	69.4°		
	H	54.7°		
	V	43.8°		

2/3

C

M.O.D. : Minimum Object Distance

Dimensions



F