

HG4514AFCS-3

4.5mm F1.4
for 1/2" format cameras
CS-Mount

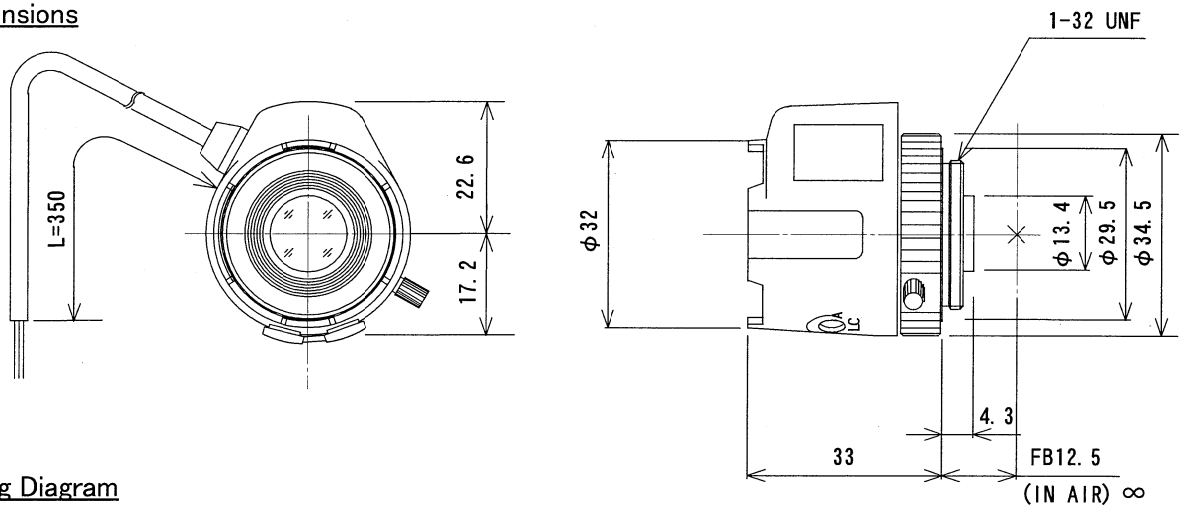
with Focus & Amplifier

Model No.	HG4514AFCS-3		Effective	Front	φ 15.8 mm
Focal Length	4.5mm		Lens Aperture	Rear	φ 9.0mm
Max. Aperture Ratio	1 : 1.4		Back Focal Length		8.7 mm
Max. Image Format	6.4 x 4.8mm (φ 8mm)		Flange Back Length		12.5 mm
Operation Range	Iris	F1.4 ~ 360	Mount		CS-Mount
	Focus	0.2m ~ Inf.	Filter Size		M30.0 P=0.5
Control	Iris	Auto Iris(by galvanometer)	Dimensions		φ 32.0 × 39.8 × 33.0 mm
	Focus	Manual	Weight		42g
Object Dimension at M.O.D.	33.3 x 22.9cm				
Angle of View	D	100.1°			
	H	79.6°			
	V	59.5°			
Supply Voltage	DC8 ~ 16V				
Current	Less than 35mA				
Response Time	Approx. 2 sec.				
Light Weighting Method	Adjustable between Average - Peak (to be set at Average at factory)				
Input Signal	Video Signal (V or VS)				
Iris Accuracy	± 15% at Video Signal Level				
Sensitivity Adjustment	0.5 ~ 1.0Vp-p (Video Signal)				
Input Impedance	High Impedance				
Operating Temperature	-20 ~ +50° C				

1/2
CS
AG

M.O.D. : Minimum Object Distance

Dimensions



Wiring Diagram

