

## HG4018AFCS

36mm F1.8

for 1/2" format camera

CS-Mount

with Focus & Amplifier

<b>Model No.</b>	HG4018AFCS	<b>Effective</b>	<b>Front</b>	φ 19.0 mm
<b>Focal Length</b>	36 mm	<b>Lens Aperture</b>	<b>Rear</b>	φ 8.6 mm
<b>Max. Aperture Ratio</b>	1:1.8	<b>Back Focal Length</b>		9.6 mm
<b>Max. Image Format</b>	6.4×4.8 mm (φ 8 mm)	<b>Flange Back Length</b>		12.5 mm
<b>Operation</b>	<b>Iris</b>	F1.8~125 (Auto Close System)	<b>Mount</b>	CS-Mount
	<b>Focus</b>	Manual, [1.1m~Inf.]	<b>Flange Size</b>	M40.5×0.5 mm
<b>Object Dimension at M.O.D.</b>	14.6×20.0 cm	<b>Dimensions</b>		φ 42.0×51.5×36.5 mm
<b>Angle of View</b>	<b>D</b>	13.4°		
	<b>H</b>	10.6°		
	<b>V</b>	7.6°		
<b>Supply Voltage</b>	DC 8~16 V			
<b>Current</b>	Less than 35 mA			
<b>Transit Time</b>	Approx. 2 sec.			
<b>Light Weighting Method</b>	Adjustable between Average - Peak ( to be set at Average at factory )			
<b>Input Signal</b>	Video Signal ( V or VS )			
<b>Iris Accuracy</b>	± 15% at Video Signal Level			
<b>Sensitivity Adjustment</b>	0.5~1.0Vp-p ( Video Signal )			
<b>Input Impedance</b>	High Impedance			
<b>Operating Temperature</b>	-20° C ~ +50° C			

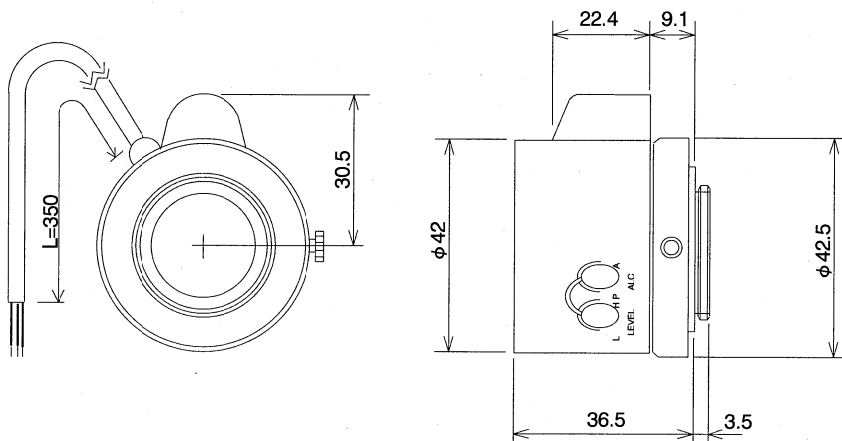
1/2

CS

AG

M.O.D. : Minimum Object Distance

### Dimensions



### Wiring Diagram

