

## HG1814AFCS

18mm F1.4

for 1/2" format camera

CS-Mount

with Focus & Amplifier

<b>Model No.</b>	HG1814AFCS	<b>Effective</b>	<b>Front</b>	φ 14.0 mm
<b>Focal Length</b>	18 mm	<b>Lens Aperture</b>	<b>Rear</b>	φ 8.6 mm
<b>Max. Aperture Ratio</b>	1:1.4	<b>Back Focal Length</b>		9.88 mm
<b>Max. Image Format</b>	6.4×4.8 mm (φ 8 mm)	<b>Flange Back Length</b>		12.5 mm
<b>Operation</b>	<b>Iris</b>	F1.4~125 (by galvano control)	<b>Mount</b>	CS-Mount
	<b>Focus</b>	Manual, [0.5m~Inf.]	<b>Filter Size</b>	M40.5×0.5 mm
<b>Object Dimension at M.O.D.</b>	13×17.5 cm	<b>Dimensions</b>		φ 42.0×51.5×36.5 mm
<b>Angle of View</b>	<b>D</b>	24.9°	<b>Weight</b>	73 g
	<b>H</b>	19.9°		
	<b>V</b>	14.9°		
<b>Supply Voltage</b>	DC 8~16 V			
<b>Current</b>	Less than 35 mA			
<b>Transit Time</b>	Approx. 2 sec.			
<b>Light Weighting Method</b>	Adjustable between Average - Peak ( to be set at Average at factory )			
<b>Input Signal</b>	Video Signal ( V or VS )			
<b>Iris Accuracy</b>	± 15% at Video Signal Level			
<b>Sensitivity Adjustment</b>	0.5~1.0Vp-p ( Video Signal )			
<b>Input Impedance</b>	High Impedance			
<b>Operating Temperature</b>	-20° C~+50° C			

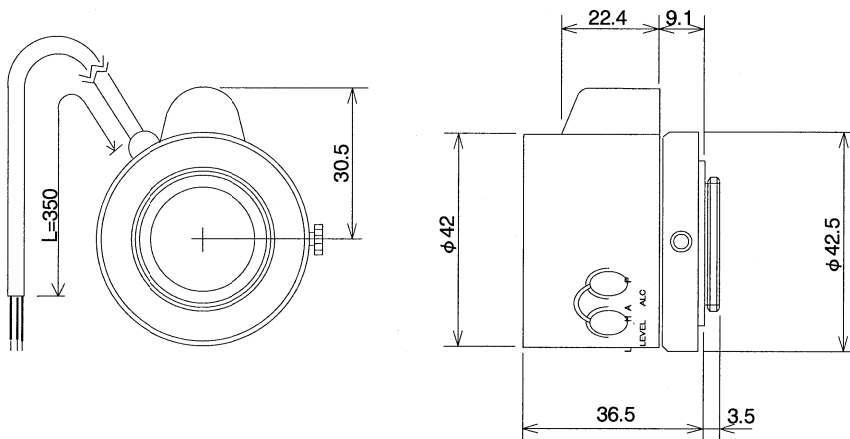
1/2

CS

AG

M.O.D. : Minimum Object Distance

### Dimensions



### Wiring Diagram

