

## HAS1212APC

12.0mm F1.2

for 1/2" format camera

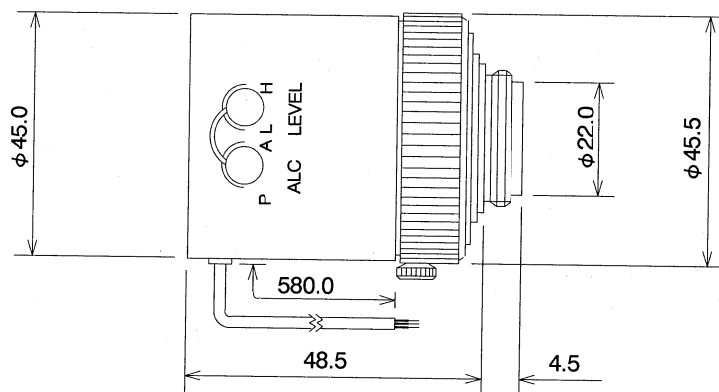
C-Mount

with Amplifier, with Focus

Model No.	HAS1212APC	Effective	Front	φ 17.4 mm
Focal Length	12.0 mm	Lens Aperture	Rear	φ 16.1 mm
Max. Aperture Ratio	1:1.2	Back Focal Length		14.7 mm
Max. Image Format	6.4×4.8 mm (φ 8 mm)	Flange Back Length		17.526 mm
Operation	Iris	Auto Iris F1.2~360	Mount	C-Mount
		(Auto close system)	Filter Size	M43.0 x 0.75mm
	Focus	Manual, 0.3m~Inf.	Dimensions	φ 45.5×48.5 mm
Object Dimension at M.O.D.	15.5 x 11.6 cm	Weight		133 g
Angle of View	D			36.8°
	H	1/2"		29.5°
	V			22.2°
Supply Voltage	DC 8~16 V			
Current	Less than 50 mA			
Transit Time	Approx. 2 sec.			
Light Weighting Method	Adjustable between Average - Peak ( to be set at Average at factory )			
Input Signal	Video Signal ( V or VS )			
Iris Accuracy	± 10% at Video Signal Level			
Sensitivity Adjustment	0.5~1.0Vp-p ( Video Signal )			
Input Impedance	High Impedance			
Operating Temperature	-20 C~+50 C			

M.O.D. : Minimum Object Distance

### Dimensions



### Wiring Diagram

