

H2616FICS-3

2.6mm F1.6

for 1/2" format cameras

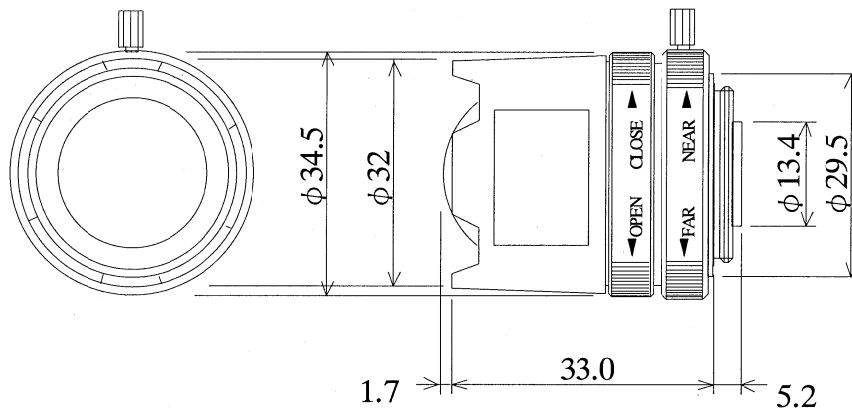
CS-Mount

Model No.	H2616FICS-3	Effective	Front	φ 23.2 mm
Focal Length	2.6 mm	Lens Aperture	Rear	φ 7.5 mm
Max. Aperture Ratio	1:1.6	Back Focal Length		7.6 mm
Max. Image Format	6.4X4.8 mm (φ 8 mm)	Flange Back Length		12.5 mm
Operation	Iris	F1.6~11C	Mount	CS-Mount
	Focus	0.1m~Inf.	Filter Size	-
Object Dimension at M.O.D.	40.9x 23.1 cm	Dimensions		φ 34.5x34.7 mm
		Weight		45 g
Angle of View	D	152.8°		
	H	127.9°		
	V	98.2°		

1/2

M.O.D. : Minimum Object Distance

Dimensions



CS

F