

## H10Z1218DC

10X 12~120mm F1.8  
for 1/2" format cameras  
C-Mount

Model No.	H10Z1218DC		Effective	Front	φ 54.0mm
Focal Length	12~120mm		Lens Aperture	Rear	φ 9.2mm
Max. Aperture Ratio	1 : 1.8		Back Focal Length	14.4 mm	
Max. Image Format	6.4 x 4.8mm (φ 8mm)		Flange Back Length	17.526 mm	
Operation Range	Iris	F1.8 ~ 560	Mount	C-Mount	
	Focus	1.5m ~ Inf.	Filter Size	M62 P=0.75 mm	
	Zoom	12~120mm	Tripod Screw	1/4"-20UNC	
Control	Iris	DC Auto Iris(by galvanometer)	Dimensions	W70 x H79.5 x D123.5mm	
	Focus	Motorized	Weight	630g	
	Zoom	Motorized			
Object Dimension at M.O.D.	12mm	78.7 x 58.9cm			
	120mm	8.1 x 6.0cm			
Angle of View	D	36.4~3.8°	1/3"	27.6~2.9°	
	H	29.4~3.1°		22.2~2.3°	
	V	22.2~2.3°		16.7~1.8°	
Control	Focus		Zoom		
Supply Voltage	DC8V		DC8V		
Current	40mA or less		40mA or less		
Response Time	Approx. 5 sec.		Approx. 4.5 sec.		
Preset Potentiometer	-		-		
Iris	Drive Coil	190 Ω			
(DC Auto Iris)	Control Coil	1000 Ω			
Operating Temperature	-10°C ~ +50°C				

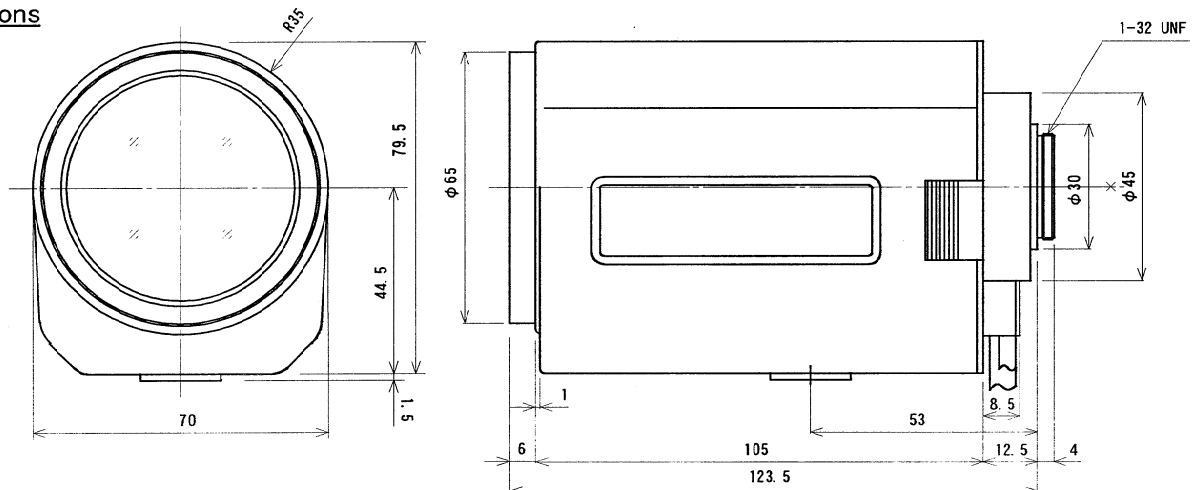
1/2

C

ZA

M.O.D. : Minimum Object Distance

### Dimensions



### Wiring Diagram

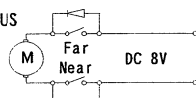
IRIS



Pin No.

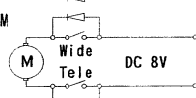
1	BROWN	Control (-)
2	RED	Control (+)
3	YELLOW	Drive (+)
4	ORANGE	Drive (-)

FOCUS



	Near	Far
GREEN	+	-
BLACK	-	+

ZOOM



	Tele	Wide
YELLOW	+	-
RED	-	+

Remarks: Connect together with Black(Focus) and Red(Zoom) for common system when necessary.