



HOUSINGS

A range of housings in various sizes to accommodate many types of lenses and camera combinations.

The COMPUTAR range of housings are made from extruded aluminium and constructed to give a stylish yet functional look.

ANY INSTALLATION

The housings on offer are further divided into 2 ways of opening the housings, either sliding the housing forward from the rear or by a side hinge. The CHEM and CHEB open at the rear whilst the CHOV and CHOB side open.

VARIATIONS ON A THEME

The CHEB and CHOB are the larger housings available and are suitable for zoom lenses. The CHEM and CHOV are a

little smaller and designed for fixed camera positions. The CHEB and CHOV can have totally discrete cabling using the WBOV bracket for the later or CHEB/EC plus a WBOV bracket when using the CHEB.

FURTHER OPTIONS

A whole host of other options can be fitted onto or into the computar range of housings. These options are brought together under the title of housing accessories and include:

- Low voltage heater and power supplies
- Washer and Wiper facilities
- 'J' shaped ceiling brackets and discrete cabling
- Extra heaters or fan cooling depending on installation geography

TOTAL HOUSING SOLUTIONS

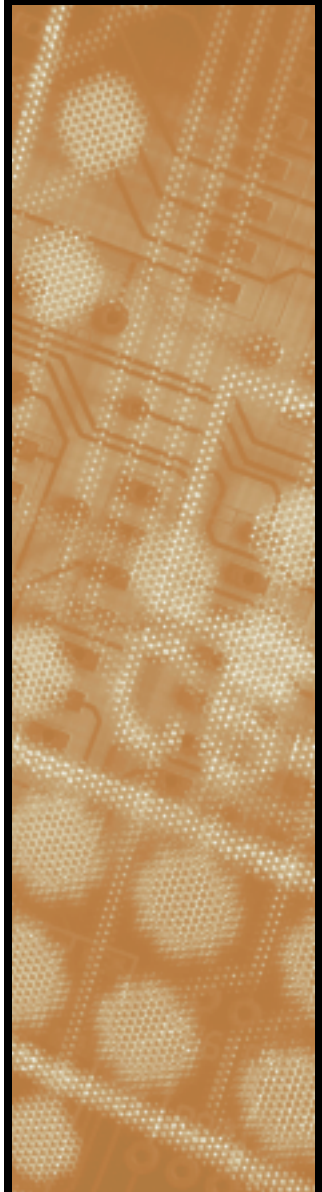
computar can offer a housing solution for virtually any environment that has a CCTV security need.

ACCESSORY COMPATIBILITY CHART

	CHEM	CHEB	CHOV	CHOB
WBM	✓	✓	✓	✗
WBJ	✓	✓	✓	✓
WBOV	✗	0	✓	✗
WBOV/P	✗	0	✓	✗
BPWB	✓	✓	✓	✓
4PCD	✓	✓	✓	✓
FWC	✓	✓	✓	✓
CM4	✗	0	✓	✗
CM5	✓	✓	✓	✗
PTH	✓	✓	✓	✓
12/24v Heater	✓	✓	✓	✓
IR LAMPS	✓	✓	✓	✓
2 IRB	✓	✓	✓	✓
WSH 1	✗	✗	✗	✓
WIP 1	✗	✗	✗	✓
Fixed Lens	✓	✓	✓	✓
10:1 Lens	✗	✗	✗	✓
10:1 Compact Lens	✗	✗	✗	✓
6:1 Lens	✗	✓	✗	✓
6:1 Compact Lens	✗	✓	✓	✓


0 WITH CHEB/EC END CAP OPTION

DATA SHEET

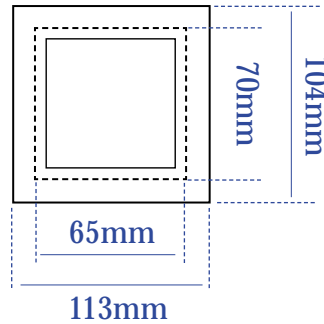
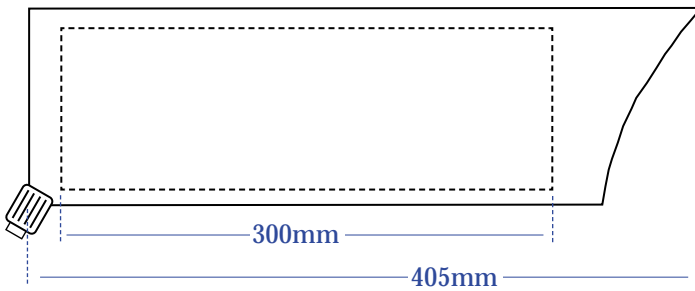


CORE FEATURES

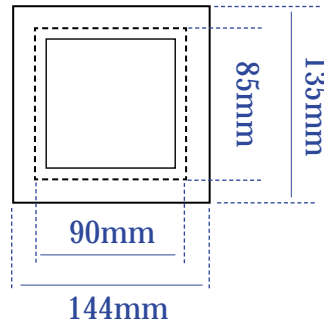
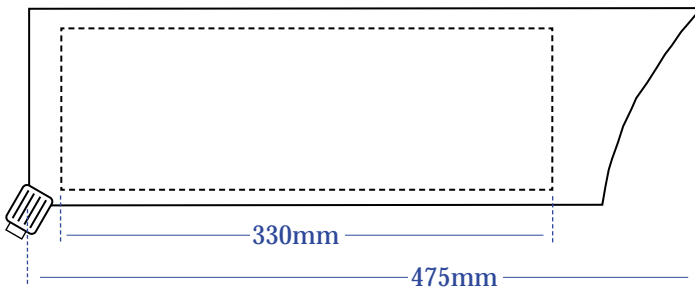
IP Rating	IP65		
Gland IP Rating	IP65		
Heater Power	40W		
Current Draw	230Vac	24Vac	12Vdc
	180mA	1.67A	3.33A
Sunshield Colour	RAL9002		
Body Colour	Unique Chugai Grey		
Fasteners	304 Stainless Steel		
All camera mounting blocks and fasteners included.			
Weight	CHEM (1.9Kg)	CHEB (3.2Kg)	CHOV (3.2Kg) CHOB (6.5Kg)
Heater Thermostat	T on <14°C T off >20°C		

 Dotted line denotes useable space

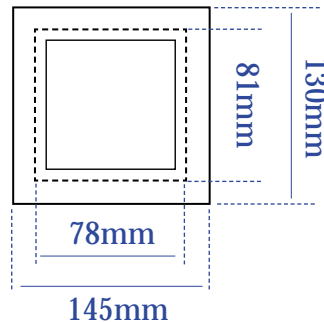
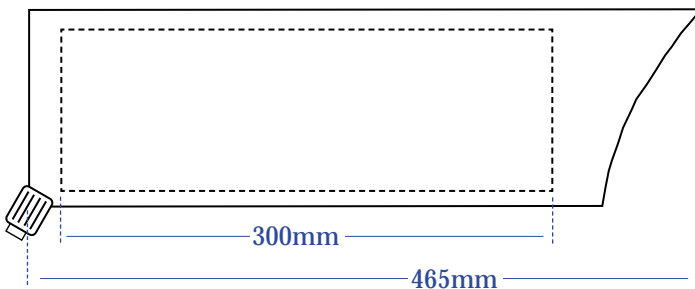
CHEM



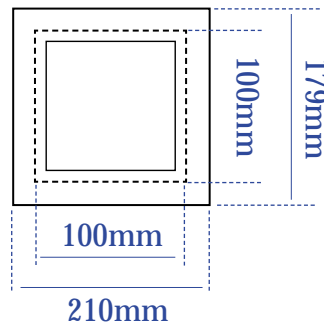
CHEB



CHOV



CHOB



N.B. All outer dimensions include the sunshield

DATA SHEET



Chugai Boyeki (UK) Ltd.,
 Computer House,
 6 Garrick Industrial Centre,
 Garrick Road, London NW9 6AQ
 Enquiries:-
 Telephone:- 0181 732 3324,
 0181 732 3334 or 0181 732 3310
 Fax:- 0181 202 3387