

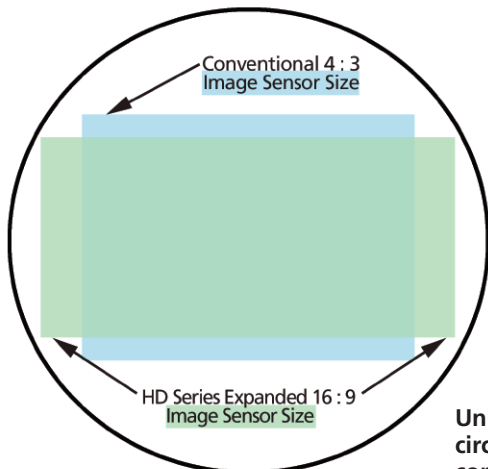
"A" Series Megapixel IR AG3Z3112FCS-MPIR



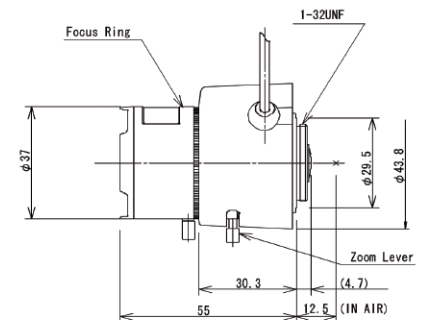
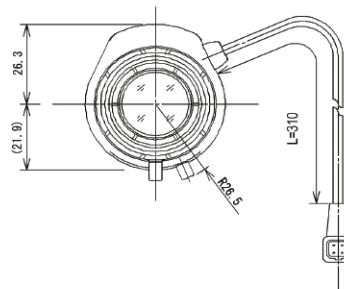
- 1/2.7" Format
- 3 Megapixel DC Auto Iris Varifocal
- Full HD Format
- Precise Focus Adjustment
- IR Corrected Optics
- Corner Brightness

Model No.	AG3Z3112FCS-MPIR			Effective	Front	ϕ 20.9mm	
Focal Length	3.1mm - 8mm			Lens Aperture	Rear	ϕ 10.5mm	
Max. Aperture Ratio	1:1.2			Back Focal	Tele	7.8mm	
Max. Image Format	3.2mm x 5.8mm (ϕ 6.6mm)			Length	Wide	7.8mm	
Operation Range	Iris	F1.2 - F360C		Flange Back Length	12.5mm		
	Focus	0.3m - Inf.		Mount	CS-Mount		
	Zoom	3.1mm - 8mm		Filter Size	—		
Control	Iris	DC Auto Iris		Dimensions	ϕ 37mm x 48.2mm x 55mm		
	Focus	Manual		Weight	59.0g		
	Zoom	Manual					
Angle of View	D	1/2.7 type	123.1° - 48.3°	1/2.7 type	123.1° - 48.3°	1/3 type	110.3° - 43.9°
	H	(16:9)	105.4° - 42.2°	(4:3)	95.9° - 38.7°	(4:3)	86.7° - 35.2°
	V		57.9° - 23.8°		71.0° - 29.1°		64.4° - 26.5°
Coil	Drive	190 Ω / 20°C					
	Control	855 Ω / 20°C					
Operating Temperature	-10°C - +50°C						

Specifications are subject to change without notice.



Dimensions:



Unique HD optical design provides larger image circle for exceptional brightness and clarity in corners and throughout image plane.