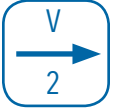


APPEARANCE



DESCRIPTION

The ComNet™ FVR21/LV dual video receiver detects two independent AM video signals in one module on two independent multimode fiber optic cables. The module is not a multiplexer. The unit incorporates a "Loss of Video" relay for each channel. Upon loss of video signal or optical fiber break, the normally closed relay opens. The module is ideal for CCTV installations and the rack mount version can be used to double the fixed video capacity of the C1 rack for up to 28 independent video channels per card cage. The modules utilize Manual Gain Control. The receiver is compatible with the ComNet™ FVT11M and the FVT20 dual video transmitter. Plug-and-play design ensures ease of installation. Bi-color (Red/Green) LED indicators are provided for rapidly ascertaining equipment operating status. Packaged in the exclusive ComNet ComFit housing, these units may be either wall or rack-mounted, or may be DIN-rail mounted by the addition of ComNet model DINBKT1 adaptor plate.

APPLICATIONS

- › CCTV (Fixed Video)

FEATURES

- › AM Video Receiver
- › NTSC, PAL, SECAM compatible
- › Loss of Video Contact Relay
- › Manual Gain Control
- › Two independent receivers in one model
- › Full color compatibility
- › Can be used to double the fixed video capacity of a C1 card cage
- › Plug-and-Play design for ease of installation
- › Voltage transient protection on all power and signal input/output lines provides unconditional protection from power surges and other voltage transient events.
- › Bi-Color (Red/Green) indicating LED to monitor system performance
- › Hot-swappable rack modules
- › Interchangeable between stand-alone or rack mount use - ComFit
- › Automatic resettable fuses on all power lines
- › Lifetime Warranty

SPECIFICATIONS

Video

Video Output:	1 volt pk-pk (75 ohms)
Bandwidth:	5 Hz - 10 MHz
Differential Gain:	<5%
Differential Phase:	<5°
Tilt:	<1%
Signal-to-Noise Ratio (SNR):	60 dB typical 54 dB minimum
Max. RG-59 COAX Distance:	100m (300ft) Camera to Fiber Optic Module to maintain 6Mhz Bandwidth

Loss of Video Relay

Response Time:	0.5 msec
Inputs:	Dry Contact Closure
Outputs:	SPST Relay, 0.5A Contact Rating, Normally Closed

Wavelength

FVR22	850 nm, Multimode
-------	-------------------

Number Of Fibers

2

Connectors

Optical:	ST
Power:	Terminal Block
Video:	BNC (Gold Plated Center-Pin)

LED Indicators

- Video Presence for Each Channel

Electrical & Mechanical

Power:	
Surface Mount:	8-15 VDC @ 130 mA
Rack:	From Rack
Number of Rack Slots:	1
Current Protection:	Automatic Resettable Solid-State Current Limiters
Circuit Board:	Meets IPC Standard
Size (in./cm) (L×W×H)	6.1 × 5.3 × 1.1 in (15.5 × 13.5 × 2.8 cm)
Surface Mount:	
Shipping Weight:	<2 lb./0.9 kg

Environmental

MTBF:	> 100,000 hours
Operating Temp:	-40° C to +75° C
Storage Temp:	-40° C to +85° C
Relative Humidity:	0% to 95% (non-condensing)*



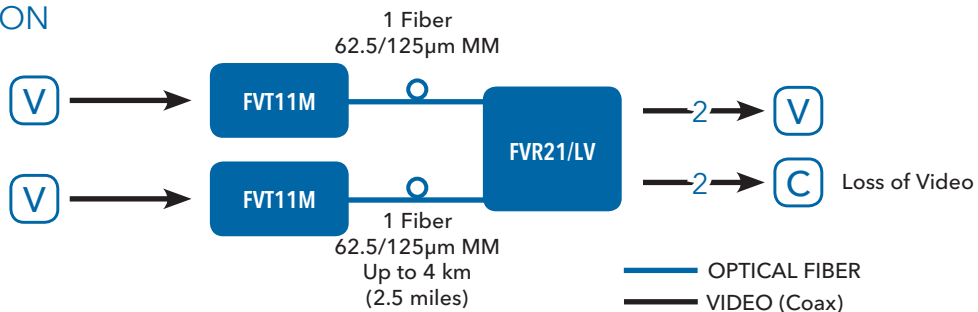
* May be extended to condensation conditions by adding suffix 'C' to model number for conformal coating.

ORDERING INFORMATION

Part Number	Description	Fibers Required	Fiber	Optical Power Budget	Maximum Distance [†]	# Rack Slots
FVR21/LV	MGC Dual Video Receiver (850 nm)	2	Multimode [‡] 62.5/125µm	14 dB	4 km (2.5 miles)	1
Accessories Options	9 Volt DC Plug-in Power Supply, 90-264 VAC, 50/60 Hz (Included) Add 'C' for Conformally Coated Circuit Boards (Extra charge, consult factory) DIN-Rail Mounting Adaptor Plate Kit - With mounting hardware (Optional, order model DINBKT1)					

NOTE: This product requires a fiber installation with a minimum 30 dB connector return loss. The use of Super Polish Connectors is recommended. Complies with FDA Performance Standard for Laser Products, Title 21, Code of Federal Regulations, Subchapter J. In a continuing effort to improve and advance technology, product specifications are subject to change without notice.

TYPICAL APPLICATION



3 CORPORATE DRIVE | DANBURY, CT 06810 | USA
 T: 203.796.5300 | F: 203.796.5303 | TECH SUPPORT: 1.888.678.9427 | INFO@COMNET.NET
 8 TURNBERRY PARK ROAD | GILDERSOME | MORLEY | LEEDS, UK LS27 7LE
 T: +44 (0)113 307 6400 | F: +44 (0)113 253 7462 | INFO-EUROPE@COMNET.NET