



INCLUDED



HARDENED



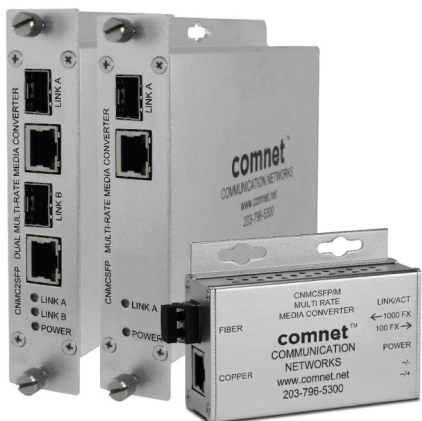
FLEXIBILITY



30W POE+



CONVERTER



The ComNet™ CNMCSFP electrical-to-optical Ethernet media converters accept a 10/100 or 1000 Mbps electrical input and converts this to a 100 or 1000 Mbps optical output (selected by a dip switch) and the 100/1000 Mbps optical input back to the 10/100/1000 Mbps electrical output. "Auto-Negotiating" is supported on the copper interface side. These devices use either one or two optical fibers, depending upon the selection of sold-separately SFP optical module. A PoE model, the CNMCSFPPOE/M meets the IEEE802.3at standard and provides 30 watts of PoE+ power. The series consists of a small-size single channel model, CNMCSFP/M; a ComFit standard size, single-channel model, CNMCSFP; and a dual channel, the CNMC2SFP.

FEATURES

- › Full-duplex transmission of 10/100/1000 Mbps Ethernet
 - 10/100/1000BASE-TX electrical port
 - 1000BASE-FX or 100BASE-FX optical port when used with suitable ComNet SFPs
- › IEEE 802.3 compliant
- › 10/100/1000 BASE-TX port supports auto-negotiation and automatic MDI/MDI-X crossover for full and half-duplex operation
- › Uses customer-installed ComNet SFPs for compatibility with a wide range of optical fibers, optical connector types, and optical transmission distances of up to 120 km
- › Designed for installation in harsh out-of-plant/unconditioned industrial or roadside operating environments (-40° to +75°C ambient). Fully compliant with the environmental requirements of NEMA TS-2 for Traffic Signal Control Equipment
- › Voltage transient protection on all power and signal input/output line provide protection from voltage surges and other transient events
- › Mini-package size of the CNMCSFP/M allows the unit to be installed in those locations where space is at a premium.

- › Bi-color LED status indicators confirm operating status
- › Hot-swappable rack modules
- › Available in small-size, ComFit interchangeable stand alone or rack unit single and dual models
- › Power supplies are always provided with the product
- › Lifetime warranty
- › Made in the U.S.A.

APPLICATIONS

- › Optical transmission of Ethernet-compatible industrial security access control systems, intercom systems, VOIP (Voice over IP) telephony networks, and IP-compatible CCTV camera surveillance networks
- › Optical Ethernet transmission to wireless LAN access points
- › Industrial Security, Transportation/ITS, and Industrial Control/Factory Automation IP Networks
- › Optical transmission of any Ethernet-compatible equipment with a maximum data rate of 100 Mbps or 1000 Mbps

* Small Form-Factor Pluggable Module. Sold separately.

SPECIFICATIONS

| | |
|---|--|
| Data | |
| Data Interface | Ethernet |
| Data Rate | 10/100/1000 Mbps IEEE 802.3 Compliant Full Duplex or Half Duplex Electrical Port/ Full Duplex Optical Port |
| Connectors¹ | |
| Power | Terminal Block |
| Optical | SFP dependent |
| Electrical | RJ45 |
| Fibers¹ | |
| Fiber Connectors: SFP Dependent Requires selection of sold-separately SFP modules. See ComNet data sheet for number and description of SFP modules. | |
| LED Indicators | |
| | Optical Link/Data Activity Power POE Enabled (CNMCSFPPOE/M only) |

| | |
|-------------------------|---|
| Power | |
| Operating Voltage Range | CNMCSFPPOE/M: 48 - 57 VDC @ 0.85A Surface Mount: 9-24 VDC @ 200mA max., or 24 VAC @ 200mA max. |
| Power Consumption | CNMCSFPPOE/M: 35W (with full PoE+ load) Surface Mount: 5W |

| | |
|------------------------------------|---|
| Electrical & Mechanical | |
| Current Protection | Automatic Resettable Solid-State Current Limiters |
| Circuit Board | Meets IPC Standard |
| ComFit Size | 6.1 x 5.3 x 1.1 in (15.5 x 13.5 x 2.8 cm) |
| Mini Size | 3.3 x 2.5 x 1.1 in (8.4 x 6.4 x 2.8 cm) |
| Shipping Weight | <2 lbs./0.9 kg |

| | |
|----------------------|---|
| Environmental | |
| MTBF | >100,000 hours |
| Operating Temp | -40° C to +75° C |
| Storage Temp | -40° C to +85° C |
| Relative Humidity | 0% to 95% (non-condensing) ² |



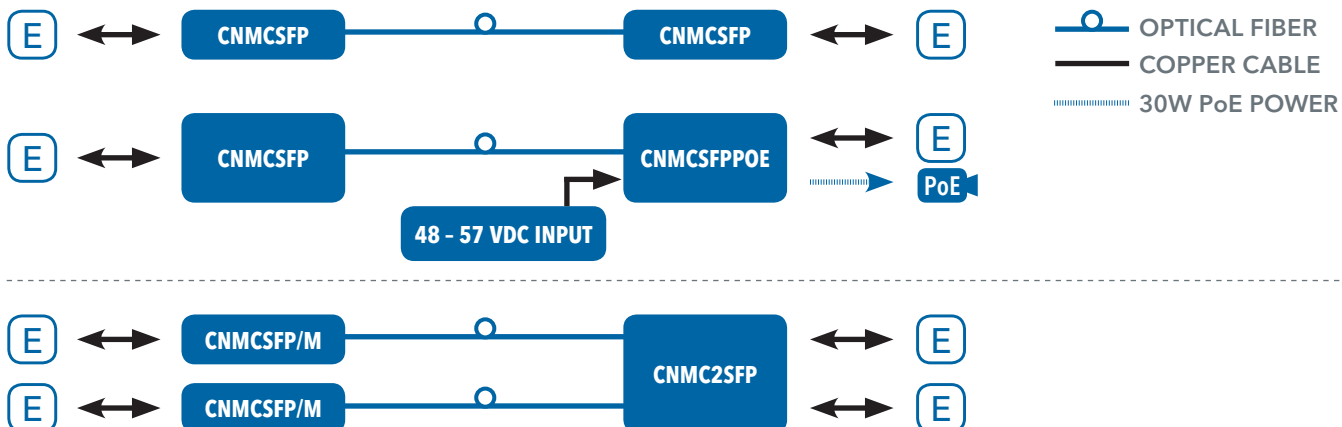
[1] Multimode fiber needs to meet or exceed fiber standard ITU-T G.651. Single mode fiber needs to meet or exceed fiber standard ITU-T G.652

ORDERING INFORMATION

| Part Number | Description | # Rack Slots |
|----------------------|--|--------------|
| CNMCSFP/M | Mini 10/100/1000Mbps Ethernet Media Converter | N/A |
| CNMCSFPPOE/M | Mini 10/100/1000Mbps Ethernet Media Converter with IEEE 802.3at 30W PoE+ | N/A |
| CNMCSFP | ComFit 10/100/1000Mbps Ethernet Media Converter | 1 |
| CNMC2SFP | ComFit Dual 10/100/1000Mbps Ethernet Media Converter | 1 |
| Included Accessories | DC Plug-in Power Supply, 90-264 VAC, 50/60 Hz (Included) 48 Volt DC Plug-in Power Supply provided with CNMCSFPPOE/M model only. | |
| Options | [2] Add suffix '/C' for Conformally Coated Circuit Boards to extend to condensation conditions (Extra charge, consult factory) DIN-Rail Mounting Adaptor Kit - With Mounting Hardware (Optional, order model DINBKT4) | |

TYPICAL APPLICATIONS

Fiber Count, Type and Distance are dependent on SFP selection



Low Power Consumption