



# COE Series 170

## Miniature video transmitter module and three channel Eurocards/Box for multimode fibre.

The COE Series 170 features a miniature fibre optic transmitter, ideal for 'in' or 'on' camera operation. Three channel transmitter and receiver Eurocards/Box complete the range of cost effective video-on-fibre systems for security & CCTV applications. The Series 170 enables the transmission of both monochrome and colour pictures up to 4km whilst maintaining good picture quality.

### Features and Benefits

- Miniature transmitter unit allows direct camera mounting - may be powered from camera power supply – Saves space and cost on fixed camera sites
- 10MHz bandwidth for full colour NTSC and PAL systems – Supports all monochrome and colour camera systems
- Fully compatible with 50/125 and 62.5/125 fibre – Operation on industry standard fibre
- High power TX available – Transmission distances up to 4km achievable
- Three channel transmitter and receiver cards available - receivers available in box format (3 and 6 channel) – Cost effective solution where multiple video signals require transmission
- Fully compatible with COE 3170BVUAC racking system – May be mixed with Series 150, 200 and 300 in the same rack thus saving system costs with up to 33 channels per rack
- Optical AGC automatically adjusts optical levels – No user/installer adjustment required

### Miniature Transmitter Module

The miniature transmitter module is housed in a small elastomer filled ABS box and is ideal for direct camera mounting. Powered from an external 12V DC source and featuring a power on LED, the 171STXB utilises a BNC connector for the Video input and an STII bayonet type optical connector for multimode fibre. Typical uses include fixed security cameras, industrial process monitoring and applications where space is at a premium.

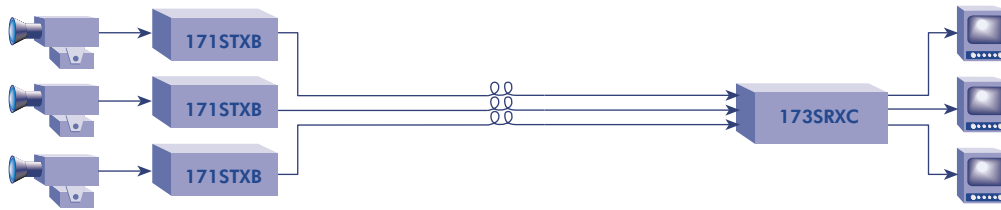
### Three channel transmitter and receiver cards

Three channel transmitter and receiver cards use a standard 6HP x 3U x 160mm Eurocard format designed to be compatible with COE 3170BVUAC subracks which provide 12V DC power. Video is via BNC connectors and the optical receptacle is compatible for use with STII bayonet type connectors. Three and six channel boxed units are available for free standing applications.

Ideal for use where space is at a premium and the collection of many single video channels is required in equipment cubicles or rooms. A mix of up to eleven transmitter or receiver cards can be housed in one 3170BV rack providing up to 33 channels of transmission.

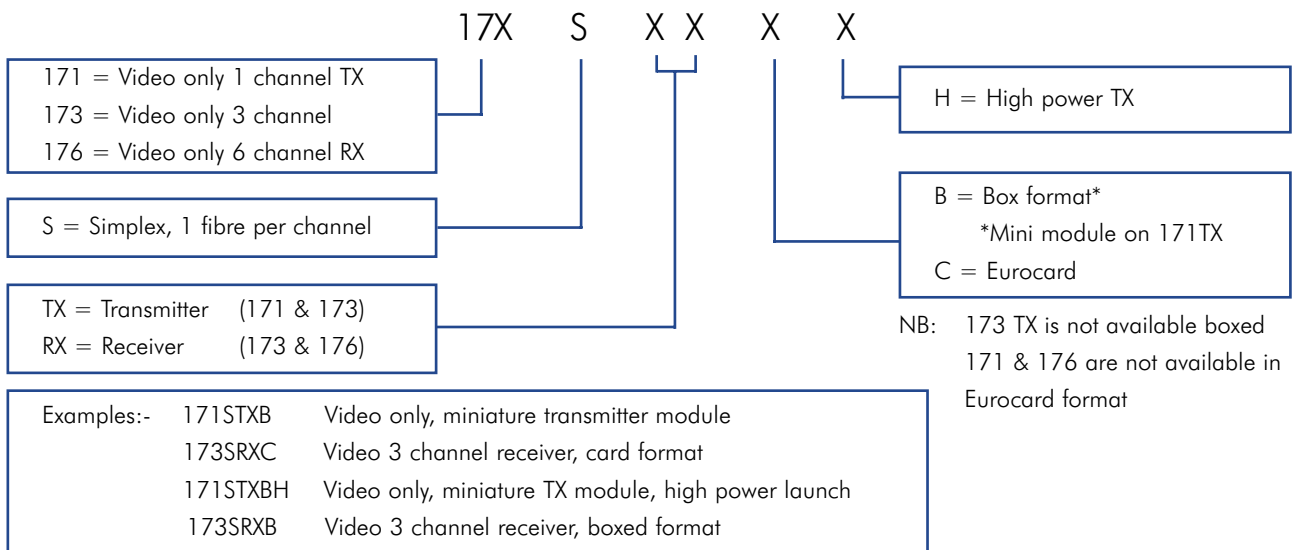


## Typical Application



For fixed camera applications the miniature TX module is ideal for direct camera mounting. Up to 3 channels can be received on one Eurocard, thus minimising rack requirements.

## Sales Order Codes for Series 170



## Performance

### Video

Video Input Level:	1.0V pk-pk
Signal / Noise:	58 dB (typical)
K Rating:	0.7%
Bandwidth:	up to 10 MHz

### Electrical

Video Impedance:	75 Ohms (Input / Outut)
Voltage:	+9 to +14V DC
Current consumption (typical):	TX 80 mA / channel RX 90 mA / channel Mini TX 50mA

### Mechanical

TX Module:	30mm x 30mm x 60mm
RX Box:	170mm x 140mm x 50mm
TX / RX Eurocard:	6HP x 3U x 160mm
Connections:	Video - BNC Optical - STII type

### Optical specification (typical)

	Launch Power (dBm)		RX Sensitivity (dBm)		Path Loss (dB)	
	50/125	62.5/125	50/125	62.5/125	50/125	62.5/125
Standard TX:	-21.5	-18.5	-31.5	10	13	
High Power:	-18.5	-15.5	-31.5	13	16	



Issue. 5. 12/00

Dealer Stamp

COE Limited • Photon House • Percy Street • Leeds LS12 1EG  
Tel: + 44 113 230 8800 • Fax: + 44 113 279 9229  
Sales DDI: + 44 113 230 8801 • Email: sales@coe.co.uk  
<http://www.coe.co.uk>

In line with the company policy of continuous improvement, COE reserves the right to vary descriptions and specifications without notice.

Asia Tel: + 65 325 6018 • Fax: + 65 223 0372

