

CV9601T(S)-X-0F Anti-vandal powerful dual Access Control + T/A System

CV9601T(S)-X-0F is high level dual access control and time attendance system terminal. It's a contactless reading MIFARE® Secure Sector or read only (UID) device that supports ISO 14443A MIFARE®.

The terminal features with stand-alone mode, network mode via RS485 or build-in TCP/IP. Work mode is Card only. Furthermore, the terminal enables to set parameter of valid time for users. With 15 changeable time group (each time group has 8 days including 1 holiday and each day has 5 time schedule), CV9601T(S)-X-0F can meet different regulatory requirements.

The terminal features an external reader for anti-passing back (Wiegand port) for high security. It's suitable for many kinds of situations such as hotel, classroom, hospital, school, bank, government agency, industrial and mining enterprises, outdoor work etc.

Powerful and friendly application software is offered for access control & time attendance solution with integrated user management, which is designed for single or network management on CV9601T(S)-X-0F Terminal by simple one-click solution to literally get complete monthly T&A report for all users. SDK is also open for customer's further development in short time.

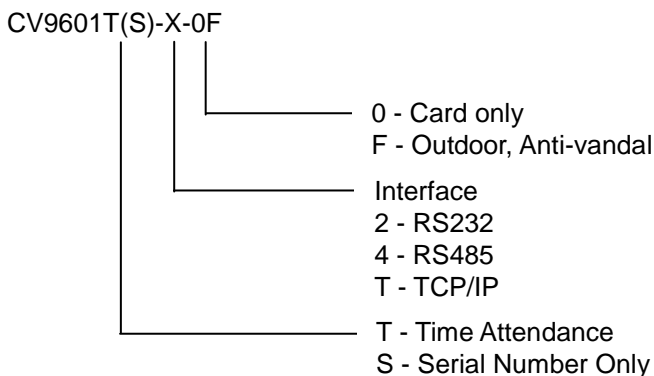
➤ The family members are:

- [CV9601T-X-0F](#) Anti-vandal powerful dual Access Control + T/A system, Card Only, MIFARE® Secure Sector
- [CV9601TS-X-0F](#) Anti-vandal powerful dual Access Control + T/A system, Card Only, MIFARE® UID

Advantages

- ✚ Stand-alone mode and network mode
- ✚ Various number of cardholder and events is selectable: (512; 10,000), (2000; 50,000) and (5000; 100,000)
- ✚ Enable to set parameter of valid time for users
- ✚ Changeable 15 time group, each time group has 8 days including 1 holiday and each day has 5 time schedule
- ✚ Guarantee that the record does not lose
- ✚ Vandal resistant for harsh environment
- ✚ Adjust Controller time
- ✚ External reader for anti-passing (Wiegand port)
- ✚ Automatic to identify and receive signal input from wiegand 26/34 interface
- ✚ Housing sabotage alarm and self diagnostics
- ✚ Watch-dog timer & power on reset
- ✚ Duress alarm in case of emergency

Order Code



Product Image



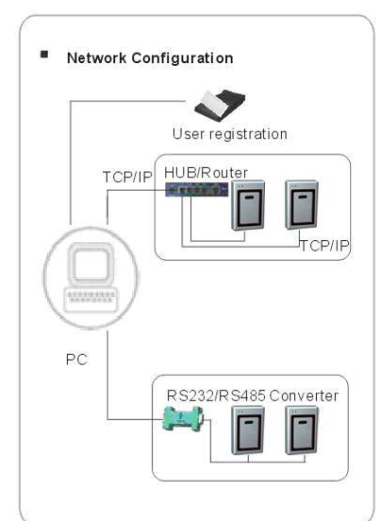
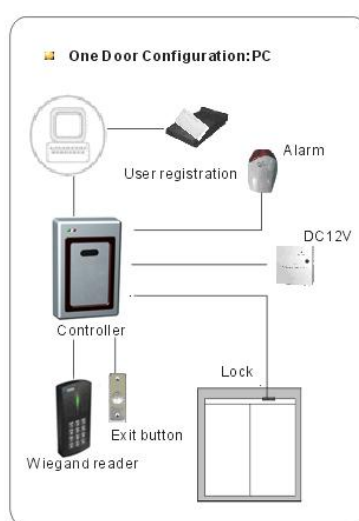
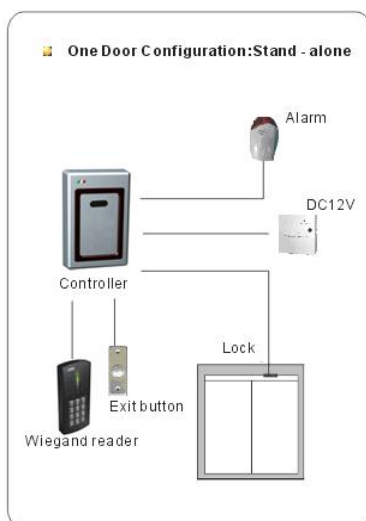
CV9601T(S)-X-0F
120*75*22mm

Specifications

Model	CV9601T-X-0F	CV9601TS-X-0F
Supporting card	MIFARE® and other ISO 14443A compatible card	
Read and write	Read data from user defined sector of MIFARE® card	Read only UID of MIFARE® and other ISO 14443A card
Operation Frequency	13.56MHz	
Power Supply	9V DC (9-24V), <100mA	
Cardholder, Events	(512; 10,000), (2000; 50,000) and (5000; 100,000) is selectable, including one master card With real time clock (RTC)	
Stand alone	Yes	
Network	Yes, via RS485 (up to 98 units) or build-in TCP/IP	
Baud Rate	9600-115200 bit/s (default 9600)	
APB	External Wiegand 26/34 reader	
Operation Mode	Card only	
Memory	2M Byte EEPROM	
Alarm	1) Door non-closed detection	2) Door broken alarm
	3) Housing sabotage alarm	4) Duress alarm in case of emergency
Input device	2 inputs (exit button, door state sensor)	
Output device	2 relay outputs	
Reading distance	30mm (depending on transponder)	
Indicators	Buzzer and LED	
Housing Material	Zn-Fe alloy	
Indoor / outdoor	Both, potted version (IP65) available on request	
Temperature range	-20°C ~ +60°C / -4°F ~ 140°F	
Relative humidity	10-95% (non condensing)	

Specifications are subject to change without notice.

Configuration



Relative Products



Software Development Kit

IOAccess SDK is software development kit worked with CiVinTec Access Control & TA terminal for second development. It includes API, Host Demo, user manual and program example. It's developed by C++builder developing tool on Windows Operating system and GCC developing tool on Linux OS, compatible to VC,VB/VB.NET,JAVA,C++,C#.NET, DELPHI etc.



Access Control & Time Attendance Software

- Access Control Software features to control network of Civintec devices by easy connectivity with PC. It's easy operation suitable for small-to-large sized organizations.
- Time Attendance Software is designed for one-click solution to literally get complete monthly T&A reports for all users. Data can be exported for further processing.



Hardware Testing Package (HTP)

A plug & play Hardware Testing Package (HTP) is provided to ease your fast testing and evaluation.

Package list:

- Testing Board
- Power supplier
- RS232 cable
- Wire cable
- Internet cable
- Testing Cards
- RS232 / RS485 converter



Relative Hardware

- CV9601T(S)-X-0F Serial Number series can register a few number cards on stand-alone application, and professional desktop reader CN6XX is required for card batch issuing on stand-alone or network application. CN6XX is required for card programming on stand alone or network application
- Full range of cards and tags available to meet complete solution