

Network Camera

VB-M700F

you can

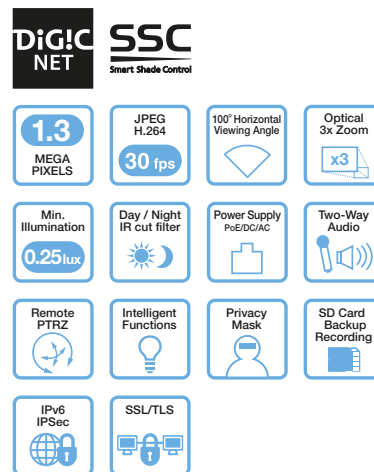


Intelligent megapixel camera for mid to high end security and monitoring applications.

The VB-M700F fixed box camera offers 1.3 Megapixel with 100° field of view, superior low-light performance and embedded video content analytics. Flexible installation options for indoor and outdoor use.

Key features

- 1.3 Megapixel fixed box camera
- High colour reproduction and low noise through use of Canon DIGIC NET and CMOS technology allowing Motion JPEG & H. 264 at 1280 x 960 pixels at 30 fps
- Best in class low-light capability with video in colour at 0.25 lux & B/W at 0.008 lux
- Ultra wide-angle lens with field of view up to 100° (F-number F1.2 to F2.0)
- Operating temperature: -10°C to 50°C
- Up to 15 embedded video content analytics functions that can run parallel
- IR cut filter Day/Night Function
- Efficient power usage
- Full duplex audio & external device connectivity
- ONVIF compliant
- Privacy Mask Function and built-in SD memory card slot



VB-M700F

Specifications

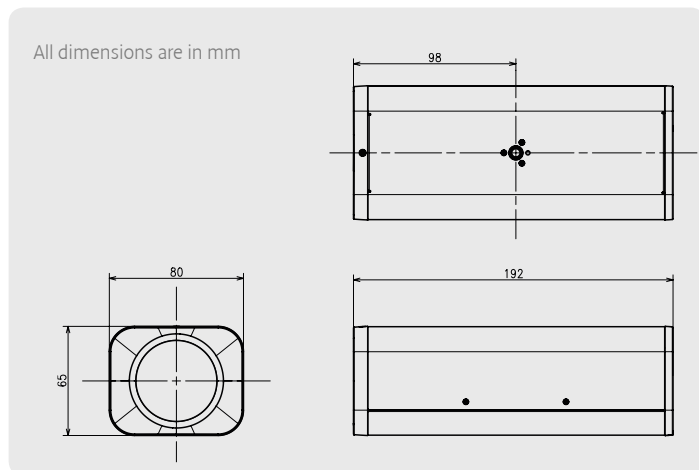
IMAGE SENSOR	
Type	1/3 inch CMOS with primary colour filter
Number of Pixels	Approx. 1.3 million pixels
Scanning System	Progressive
OPTICS	
Zoom Magnification & Control	3x powered zoom lens with Auto Focus
Focal Length	2.8mm (wide) – 8.4mm (telephoto)
Horizontal Field of View	101.2° (wide) – 33.7° (telephoto)
Lens F-Number	f/1.2 – f/2.0
Minimum Subject Illumination	Day Mode: 0.25 lux (Colour, f/1.2 at 1/30 sec) Night Mode: 0.008 lux (Mono, f/1.2 at 1/30 sec)
Focus Control	One-shot AF / Manual / Fixed at infinity
Focusing Region	Day Mode: 0.3 m – infinity Night Mode: 1.0 m – infinity
Shutter Speed	1, 1/2, 1/4, 1/8, 1/15, 1/30, 1/60 (Standard), 1/100, 1/120, 1/250, 1/500, 1/1000, 1/2000, 1/4000, 1/8000 sec
White Balance	Auto / One-shot / Preset / Manual
Imaging Modes	Day Mode, Night Mode (Auto / Manual)
Optical Measurement System	3 options: Centre-weighted / Average / Spot Metering
Backlight Compensation	7 levels
Shade Correction	7 levels
Image Stabilizer	-
SERVER UNIT	
Video Compression Method	H.264, JPEG
Video Output Size	JPEG: 160 x 120, 320 x 240, 640 x 480, 1280 x 960 H.264: 320 x 240, 640 x 480, 1280 x 960
Frame Rate	JPEG: 30 – 0.1 fps ¹ H.264: 30/15/10 fps ¹
Simultaneous Distribution	JPEG: Max. 30 Clients + 1 Admin Client H.264: Max. 10 Clients
Audio Communication	Full-duplex
Audio Compression Method	G.711 µ-law (64Kbps)
Supported Protocols	IPv4: TCP/IP, UDP, HTTP, FTP, SNMP (MIB2), SMTP (Client), DHCP (Client), DNS (Client), ARP, ICMP, POP3, NTP, SMTP authentication, WV-HTTP (from Canon), ONVIF IPv6: TCP/IP, UDP, HTTP, FTP, SMTP (Client), DNS (Client), ICMPv6, POP3, NTP, SMTP authentication, WV-HTTP (from Canon), ONVIF
Encrypted Communications	SSL/TLS, IPsec (Auto Key Exchange/Manual)
Privacy Mask	Max. 8 masks
Camera Access Control	Number of mask colours: 1 (select from 9 colours)
Camera Access Levels	User name and password / Host-based access control (IPv4, IPv6)
Event Notification	3 user levels: Administrator / Authorized User / Guest User HTTP/SMTP (e-mail)

EMBEDDED ANALYTICS	
Video Content Analytics	Moving Object Detection, Removed Object Detection, Abandoned Object Detection and Camera Tampering Detection (Max of 15 detections per camera)
Audio	Volume Detection
CONNECTORS	
Network Interface	RJ-45, 100Base-TX (Auto / Full duplex / Half duplex)
Audio Input (Mic / Line In)	3.5mm mono mini-jack
Audio Output (Line Out)	3.5mm mono mini-jack
External Device I/O Terminals	2 x Inputs / 2 x Outputs
Memory Card	SD Memory Card, SDHC Memory Card Compatible. Max. 32 GB, Frame Rate: Max. 1fps
MECHANISMS	
Pan Angle Range	-
Tilt Angle Range	-
Rotation Angle Range	-
Maximum Rotation Speed	-
Infrared Cut Filter	Power-driven insertion and removal (Day / Night Modes)
Preset Positions	-
RATINGS	
Dimensions (W x H x D)	80mm x 65mm x 192mm
Weight	690 g
Power Sources	Power over Ethernet (48V DC, Conforms to IEEE 802.3af) 100V – 240V AC, 50/60Hz (via optional AC Adaptor) 12V DC or 24V AC (via supplied two-pin connector)
Power Consumption	PoE Input: Max. approx. 5.9 W AC adapter (PA-V17): Max. approx. 6.9 W DC Input: Max. approx. 5.7 W AC Input: Max. approx. 5.4 W
Operating Environment	Temperature: -10°C to 50°C, Humidity: 5% – 85% RH (without condensation)
WHAT'S IN THE BOX	
	Canon Network Camera VB-M700F, CD-ROM*, Power Connector, Installation Guide, Warranty Card (European), Leaflet of Warranty Card. *Bundled software (included on the CD-ROM) enables monitoring and recording of up to four cameras.

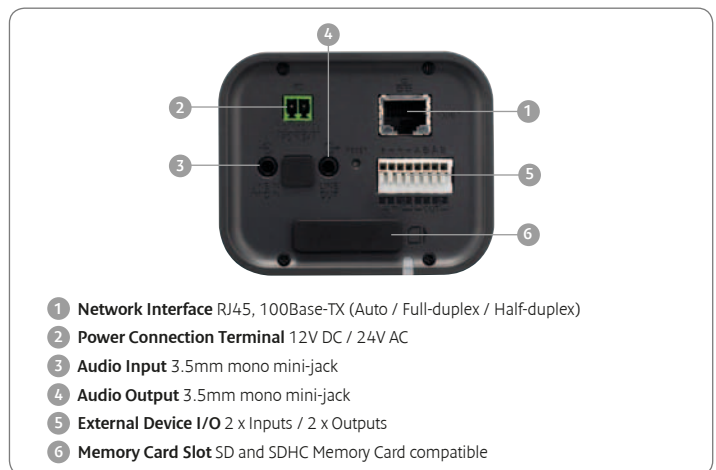
¹ The frame rate may be reduced due to limitations of the Viewer PC or network used and also the number of clients accessing the camera at the same time.

All data is based on Canon's standard testing methods. This Leaflet and the specifications of the product have been developed prior to the date of product launch. Specifications are subject to change without notice.
*and ©: All company and/or product names are trademarks and/or registered trademarks of their respective manufacturers in their markets and/or countries.

Dimensions



Connectivity



Optional Accessories

AC Power Supply PA-V17 (Europe)
AC Power Supply PA-V17 (Great Britain)
Video Recording Software RM-9
Video Recording Software RM-25
Video Recording Software RM-64



Outdoor Conventional Housing (wall mount)

For more detailed accessory information please refer to the accessory sales sheet.

Canon Inc.
canon.com

Canon Europe
canon-europe.com

English Edition
© Canon Europa N.V., 2011