

Network Camera

VB-M600VE

you can

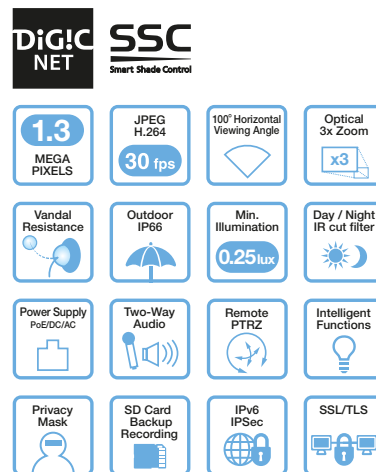


Intelligent vandal-resistant dome covering all your high end security requirements.

The VB-M600VE 1.3 Megapixel fixed dome camera with vandal-resistant & IP66 rated body is ideal for harsh outdoor conditions. Monitor and record activity day & night with a 100° field of view & IR cut filter.

Key features

- 1.3 Megapixel fixed dome camera with vandal-resistant IP66 body
- High colour reproduction and low noise through use of Canon DIGIC NET and CMOS technology allowing Motion JPEG & H.264 at 1280 x 960 pixels at 30 fps
- Low-light performance at 0.25 lux (colour) and 0.008 lux (B/W)
- Ultra wide-angle lens with field of view up to 100° (F-number F1.2 to F2.0)
- Reduced installation time by remote lens zoom and pan / tilt setting
- Operating temperature: -10°C (-30°C with optional heating unit) to 50°C
- Up to 15 embedded video content analytics functions that can run parallel
- IR cut filter Day/Night Function
- Full duplex audio & external device connectivity
- ONVIF compliant
- Privacy Mask Function and built-in SD memory card slot



VB-M600VE

Specifications

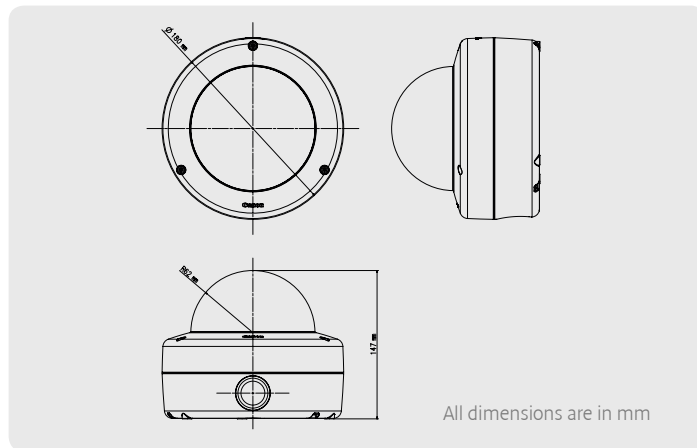
IMAGE SENSOR	
Type	1/3 inch CMOS with primary colour filter
Number of Pixels	Approx. 1.3 million pixels
Scanning System	Progressive
OPTICS	
Zoom Magnification & Control	3x powered zoom lens with Auto Focus
Focal Length	2.8mm (wide) – 8.4mm (telephoto)
Horizontal Field of View	101.2° (wide) – 33.7° (telephoto)
Lens F-Number	f/1.2 – f/2.0
Minimum Subject Illumination	Day Mode: 0.25 lux (Colour, f/1.2 at 1/30 sec) Night Mode: 0.008 lux (Mono, f/1.2 at 1/30 sec)
Focus Control	One-shot AF / Manual / Fixed at infinity
Focusing Region	Day Mode: 0.3 m – infinity Night Mode: 1.0 m – infinity
Shutter Speed	1, 1/2, 1/4, 1/8, 1/15, 1/30, 1/60, 1/100, 1/120, 1/250, 1/500, 1/1000, 1/2000, 1/4000, 1/8000 sec
White Balance	Auto / One-shot / Preset / Manual
Imaging Modes	Day Mode, Night Mode (Auto / Manual)
Optical Measurement System	3 options: Centre-weighted / Average / Spot Metering
Backlight Compensation	7 levels
Shade Correction	7 levels
Image Stabilizer	-
SERVER UNIT	
Video Compression Method	H.264, JPEG
Video Output Size	JPEG: 160 x 120, 320 x 240, 640 x 480, 1280 x 960 H.264: 320 x 240, 640 x 480, 1280 x 960
Frame Rate	JPEG: 30 – 0.1 fps ¹ H.264: 30/15/10 fps ¹
Simultaneous Distribution	JPEG: Max. 30 Clients + 1 Admin Client H.264: Max. 10 Clients
Audio Communication	Full-duplex
Audio Compression Method	G.711 μ-law (64Kbps)
Supported Protocols	IPv4: TCP/IP, UDP, HTTP, FTP, SNMP (MIB2), SMTP (Client), DHCP (Client), DNS (Client), ARP, ICMP, POP3, NTP, SMTP authentication, WV-HTTP (from Canon), ONVIF IPv6: TCP/IP, UDP, HTTP, FTP, SMTP (Client), DNS (Client), ICMPv6, POP3, NTP, SMTP authentication, WV-HTTP (from Canon), ONVIF SSL/TLS, IPsec (Auto Key Exchange/Manual)
Encrypted Communications	Max. 8 masks.
Privacy Mask	Number of mask colours: 1 (select from 9 colours)
Camera Access Control	User name and password / Host-based access control (IPv4, IPv6)
Camera Access Levels	3 user levels: Administrator / Authorized User / Guest User
Event Notification	HTTP/SMTP (e-mail)
EMBEDDED ANALYTICS	
Video Content Analytics	Moving Object Detection, Removed Object Detection, Abandoned Object Detection and Camera Tampering Detection (Max of 15 detections per camera)
Audio	Volume Detection

CONNECTORS	
Network Interface	RJ-45, 100Base-TX (Auto / Full duplex / Half duplex)
Audio Input (Mic / Line In)	3.5mm mono mini-jack
Audio Output (Line Out)	3.5mm mono mini-jack
External Device I/O Terminals	2 x Inputs / 2 x Outputs
Memory Card	SD Memory Card, SDHC Memory Card Compatible. Max. 32 GB, Frame Rate: Max. 1fps
MECHANISMS	
Pan Angle Range	350° (±175°)
Tilt Angle Range	150° (±75°)
Rotation Angle Range	350° (±175°)
Maximum Rotation Speed	Pan: 19.2°/sec, Tilt: 14.2°/sec, Rotation: 43.7°/sec * When the Camera Angle Setting Tool is used
Infrared Cut Filter	Power-driven insertion and removal (Day / Night Modes)
Preset Positions	-
RATINGS	
Dimensions (W x H x D)	180mm x 147mm x 180mm
Weight	1910 g
Power Sources	Power over Ethernet (48V DC, Conforms to IEEE 802.3af) 100V – 240V AC, 50/60Hz (via optional AC Adaptor) 12V DC or 24V AC (via supplied two-pin connector)
Power Consumption	PoE Input: Max. approx. 8.6 W AC adapter (PA-V17): Max. approx. 10.9 W DC Input: Max. approx. 9.0 W AC Input: Max. approx. 8.3 W Max. approx. 18.9 W equipped with optional heating unit (HU600-VB)
Operating Environment	Temperature: -10°C to 50°C, Humidity: 5% – 85% RH (without condensation) Temperature: -30°C to 50°C, Humidity: 5% – 85% RH (without condensation) * * when equipped with optional heating unit (HU600-VB)
Impact Resistance	External materials: Aluminium alloy / Dome: poly carbonate plastics / Lens: shock absorbing mechanism Estimated shock resistant: 50J (impact strength) *based on Canon's test method
Dust-resistant / Waterproof Specification	IP66-rated
WHAT'S IN THE BOX	
	Canon Network Camera VB-M600VE, CD-ROM*, Power Connector, Installation Guide, Safety Wire, Audio Interface Cable, Installation Template, Warranty Card (European), Leaflet of Warranty Card. *Bundled software (included on the CD-ROM) enables monitoring and recording of up to four cameras.

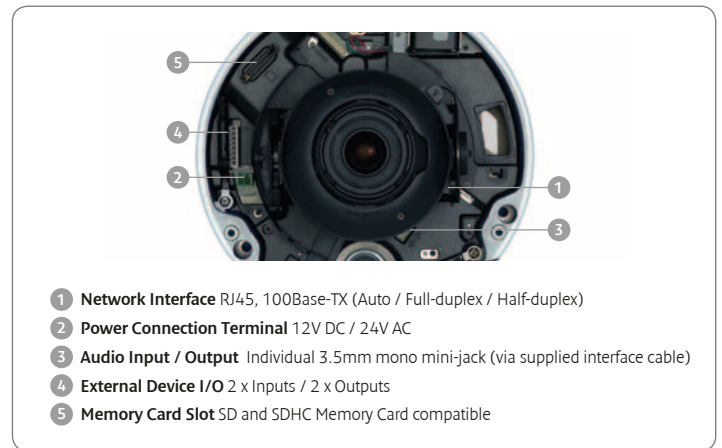
¹ The frame rate may be reduced due to limitations of the Viewer PC or network used and also the number of clients accessing the camera at the same time.

All data is based on Canon's standard testing methods. This Leaflet and the specifications of the product have been developed prior to the date of product launch. Specifications are subject to change without notice.
*and ©: All company and/or product names are trademarks and/or registered trademarks of their respective manufacturers in their markets and/or countries.

Dimensions



Connectivity



Optional Accessories

AC Power Supply Kit PA-V17 (Europe)
AC Power Supply Kit PA-V17 (Great Britain)
Recessed Mounting Kit SR600-VB
Junction Box Mounting Kit PS600-VB
Heater Unit HU600-VB
Video Recording Software RM-9
Video Recording Software RM-25
Video Recording Software RM-64



Indoor Recessed Mounting Kit



Wall Adaptor Bracket

For more detailed accessory information please refer to the accessory sales sheet.

Canon Inc.
canon.com

Canon Europe
canon-europe.com

English Edition
© Canon Europa N.V., 2011

